

ADULT ASSEMBLY REQUIRED

Model Number: 2161357

Outdoor Sand & Water Small Frame Assembly

BIRD•IN•HAND
Woodworks, Inc.

Lancaster, Pennsylvania
A member of the School Specialty, Family

Product Guide - General Instructions and Information

Customer Service:

P.O. Box 1579

Appleton, WI 54912-1579

Phone: 1-888-388-3224

Customer Care Website:

<https://help.schoolspecialty.com/s/>

Warning:

This product is for children.

Supervision is required at all times.

Warning:

Manufacturer is not responsible for modifications made to our products by customers.

Cleaning:

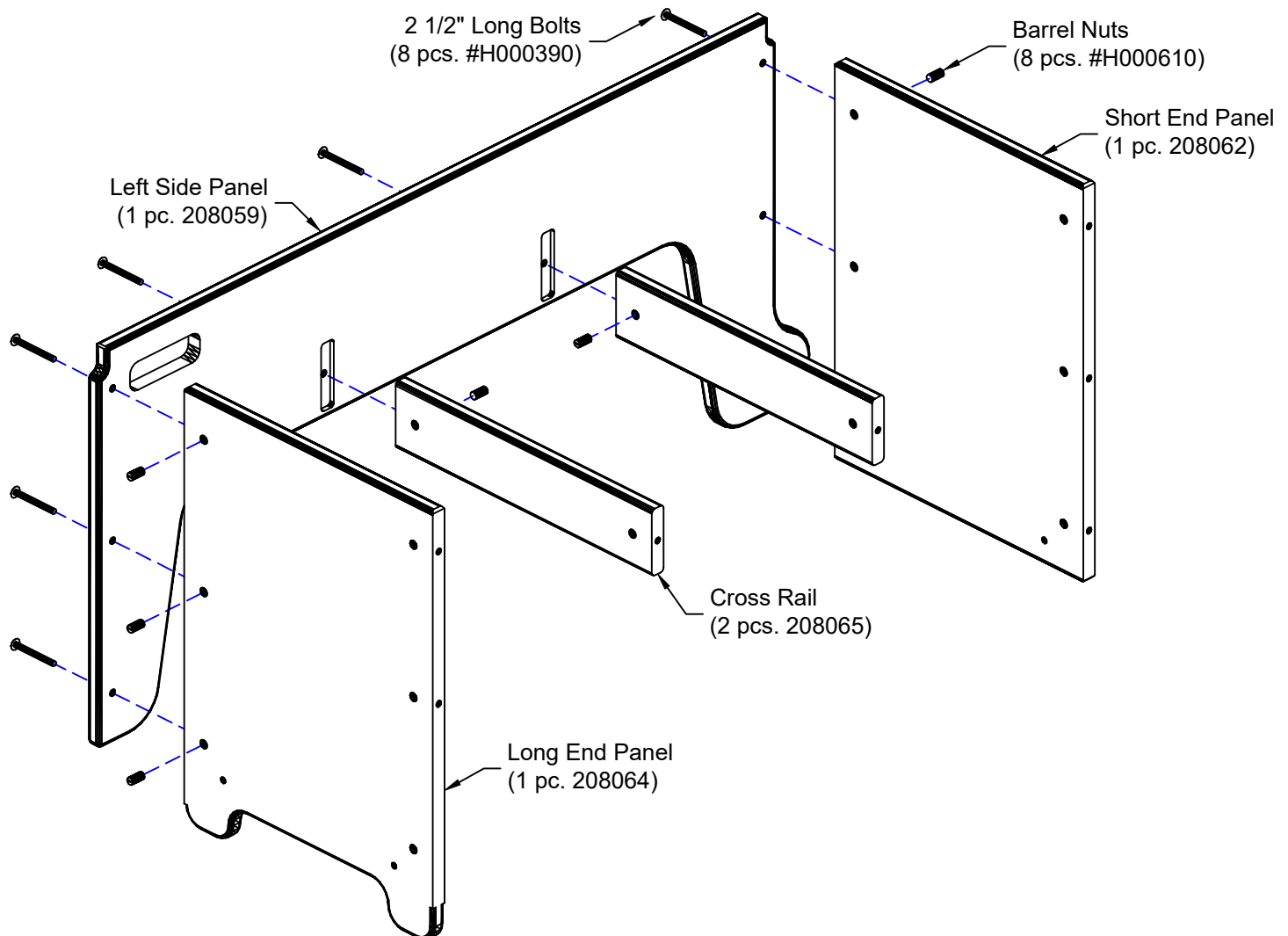
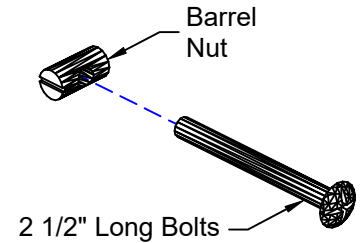
Use a mild soap and water solution. Be sure to wipe all water from the surface.

Important:

Do not discard these instructions. Keep for future reference.

Frame Assembly: (Use the drawing below as a guide.)

Start by attaching both end panels to the left side as shown below, followed by both cross rails. Make sure to attach the long end panel on the handle end of the side! Insert a barrel nut into each large hole of the end panels and cross rails. (NOTE: One end of the barrel nut has a slot, keep it aligned horizontally.) While holding an end panel against the side panel, insert a bolt through the corresponding hole in the side panel so that it contacts the barrel nut. Turn the bolt clockwise to begin threading it into the barrel nut, and hand tighten each bolt as far as possible. Make sure that the top edge of the side panel is even with the end panel. Repeat this procedure for each piece..



ADULT ASSEMBLY REQUIRED

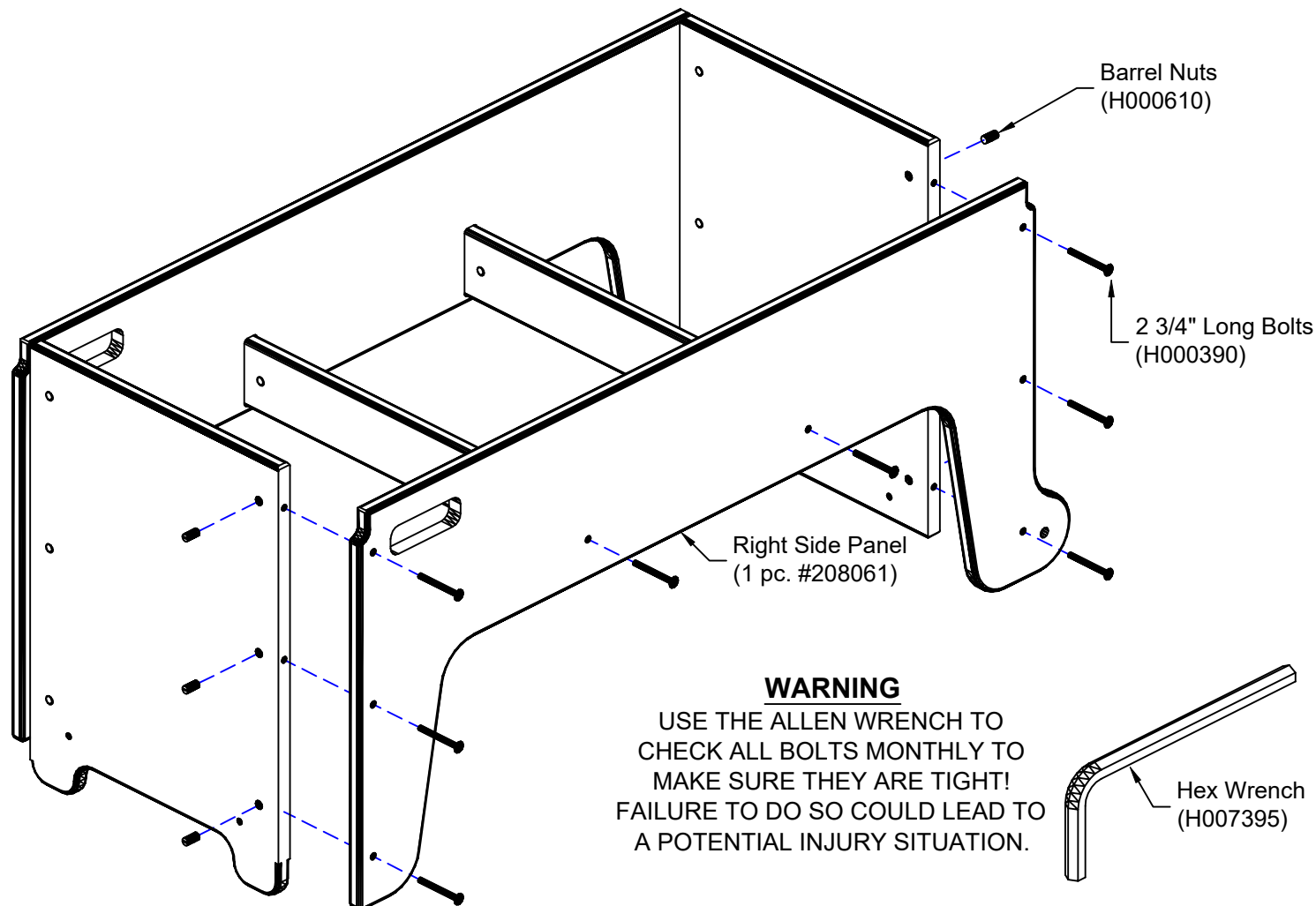
BIRD•IN•HAND
Woodworks, Inc.

Lancaster, Pennsylvania
A member of the School Specialty Family

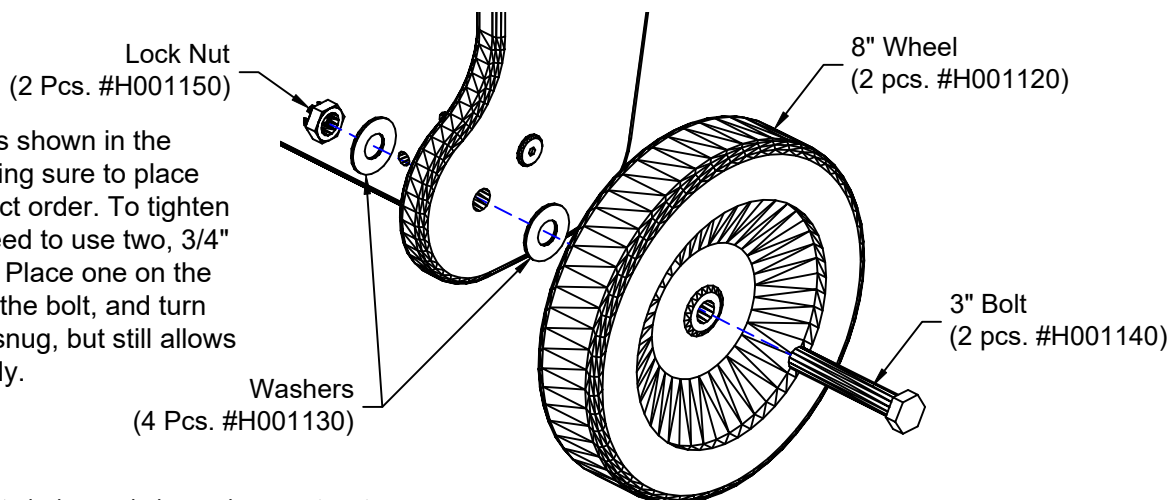
Product Guide - General Instructions and Information

Frame Assembly: (Continued)

Attach the remaining right side panel using the remainder of the barrel nuts and bolts. Hand tighten each bolt as far as possible. Once the frame is assembled, check that the top edges are all even, and then finish tightening the bolts with the included hex wrench.



Attach both wheels as shown in the diagram at right, making sure to place each part in the correct order. To tighten everything you will need to use two, 3/4" sockets or wrenches. Place one on the nut, and the other on the bolt, and turn them clockwise until snug, but still allows the wheel to turn freely.



- Use the part numbers listed when ordering replacement parts -

Cleaning Polygrain

One of the many benefits of HDPE is that it is water resistant and very easy to clean. HDPE can be cleaned regularly using a standard soap and water solution.

- Using soap and fresh water, wipe down the material with a soft clean towel
- If there is debris on the surface, spray off the affected area first with a hose
- If necessary, remove excess dirt and debris by scrubbing with a soft brush or sponge
- Allow the material to air dry or use a soft towel
- For tougher soiled areas, use 1/2 cup of household detergent and 1 gallon of water to break down the stains
- A pressure washer with no greater than 2000 psi may be used to remove dirt, dust, or other types of airborne particulates. Do not direct the spray close to the furniture. (less than 8")
- Avoid using chemical cleaners, sprays and hard scrubbers which can be abrasive to the material