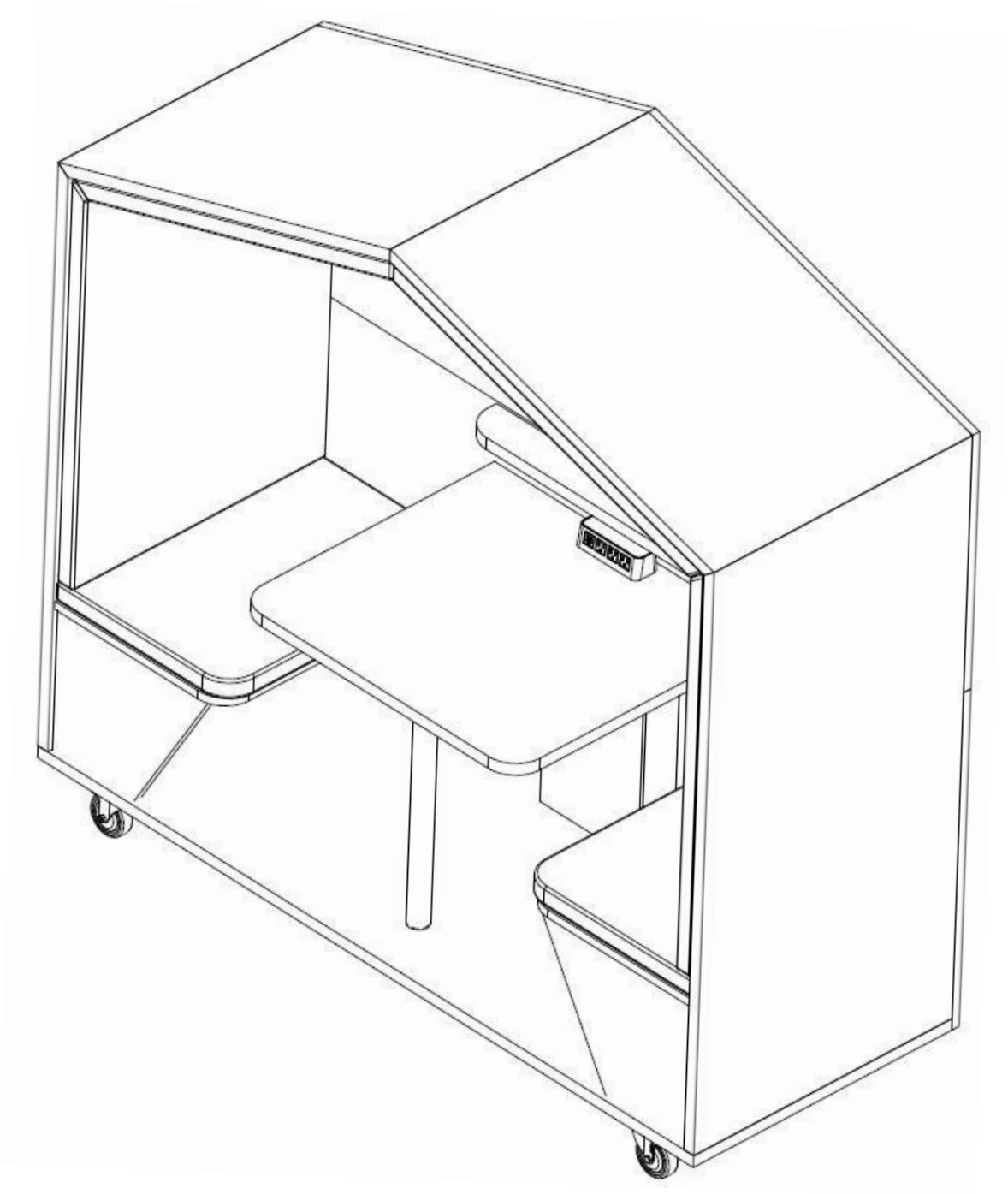


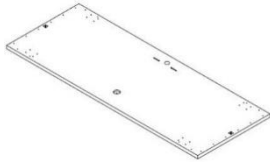
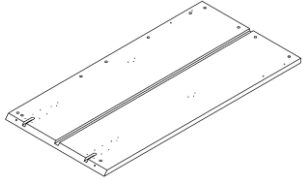
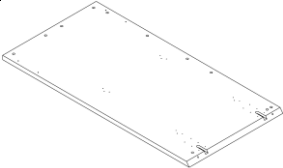
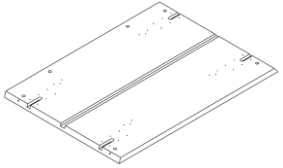
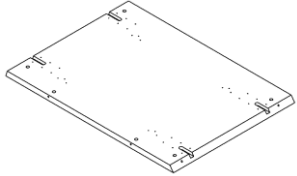

Installation Instructions



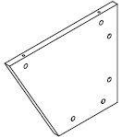
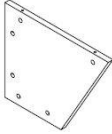
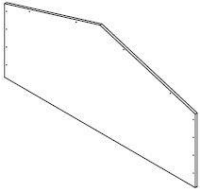
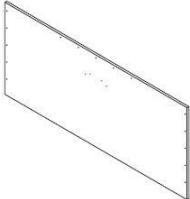


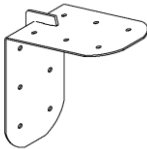
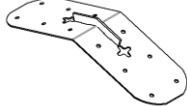
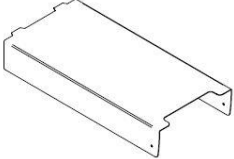
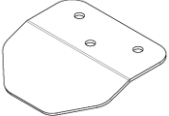

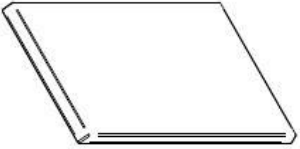
Product: Huddle


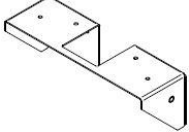
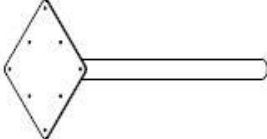







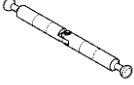




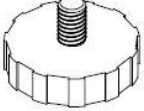
Component Index

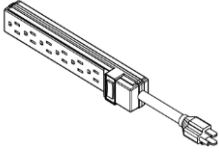
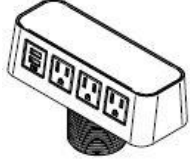

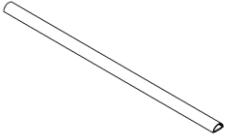

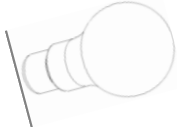
PART DETAILS	QTY
 <p>559178 FLOOR PANEL (29.5" x 78" x 1.125")</p>	(1)
 <p>559179 WALL PANEL – LH (29.5" x 58.815" x 1.125")</p>	(1)
 <p>559180 WALL PANEL – RH (29.5" x 58.815" x 1.125")</p>	(1)
 <p>559181 CEILING PANEL – LH (29.5" x 40.782" x 1.125")</p>	(1)
 <p>559182 CEILING PANEL – RH (29.5" x 40.782" x 1.125")</p>	(1)
 <p>559183 TABLETOP (29.5" x 33" x 1.125")</p>	(1)

 <p>559184 SHELF (4" x 33" x 1.125")</p>	(1)
 <p>559185 SEAT PANEL (29" x 20" x .75")</p>	(2)
 <p>559186 SEAT SUPPORT PANEL -RH (18" x 14.25" x .75")</p>	(2)
 <p>559187 SEAT SUPPORT PANEL – LH (18" x 14.25" x .75")</p>	(2)
 <p>559188 UPPER BACK PANEL (78" x 37.893" x .75")</p>	(1)
 <p>559189 LOWER BACK PANEL (78" x 34.03" x .75")</p>	(1)

 <p>392887 BRACKET-WALL TO CEILING</p>	(4)
 <p>392886 BRACKET-CEILING TO CEILING</p>	(2)
 <p>559201 ELECTRICAL CABINET COVER</p>	(1)
 <p>559202 UPHOLSTERY CLIP</p>	(16)
 <p>392787 UPHOLSTERED SEAT ASSEMBLY</p>	(2)
 <p>392788 UPHOLSTERED WALL ASSEMBLY</p>	(2)

 <p>392789 UPHOLSTERED CEILING ASSEMBLY</p>	(2)
 <p>392790 TABLE MOUNT</p>	(1)
 <p>392791 TABLE LEG</p>	(1)
 <p>16970 SOCKET CAP SCREW 1/4-20 X 1- 1/2" LG</p>	(1)
 <p>17053 5mm X 34mm DOWEL</p>	(51)
 <p>17054 15mm X 14mm CAM</p>	(63)
 <p>17059 17mm CAM COVER</p>	(51)

 17055 FLANGED HEX HEAD SCREW 5/16" X 1" LG	(18)
 44951 ARTICUATING DOWEL	(6)
 17057 1/4-20 X 2" O.D. THREADED TUBE INSERT	(1)
 41190 4" TOTAL LOCKING PLATE CASTER	(4)
 44922 1/2" POLYPROPYLENE LOOP CLAMP	(4)
 PAN HEAD SCREW #10 X 3/4" LG	(142)
 IL82-5BX1/2 KNOB 5/16-18 X 1/2" LG	(2)

 44941 120V 15A POWERSTRIP	(1)
 44945 TABLE POWER UNIT	(1)
 44942 LIGHT CORD	(1)
 44953 CABLE RACEWAY	(3)
 44943 LAMP SHADE	(1)
 44944 LED BULB	(1)

NOOK HUDDLE POD ASSEMBLY

UNPACKING

Unpack and identify each component that you received. If your shipment has damage or is missing parts, please contact customer service at Palmer Hamilton.

Phone: 262-723-8200.

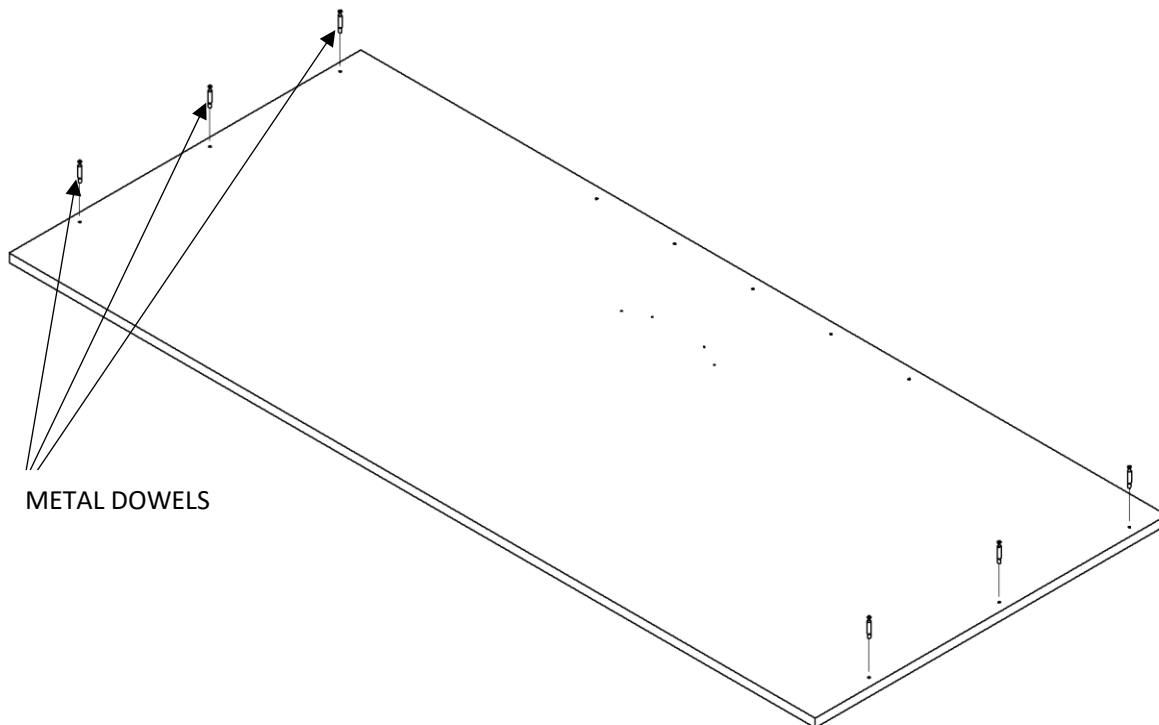
- TWO OR THREE PEOPLE REQUIRED FOR ASSEMBLY.
- WEAR APPROPRIATE PERSONAL PROTECTIVE EQUIPMENT.

TOOLS REQUIRED

- DRILL/DRIVER WITH #2 PHILLIPS BIT
- 1/2" SOCKET AND / OR OPEN-END WRENCHES
- 5/32" HEX KEY
- RUBBER MALLET
- SOFT, PROTECTED SURFACE

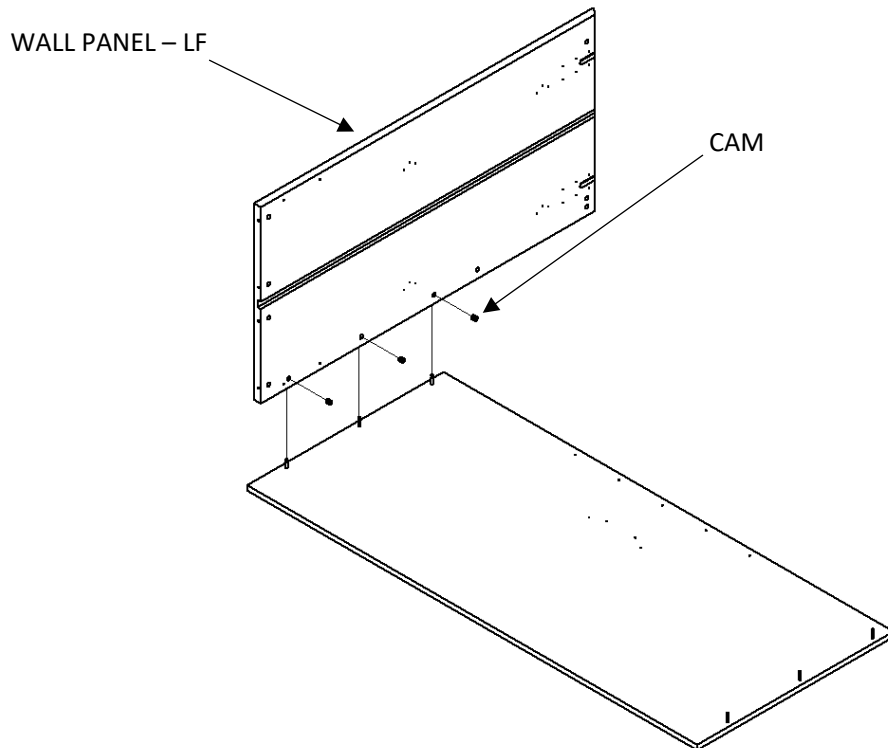
STEP #1: DOWEL ASSEMBLY

- A. Lay LOWER BACK PANEL on smooth clean surface hole side up.
- B. Insert METAL DOWELS into LOWER BACK PANEL



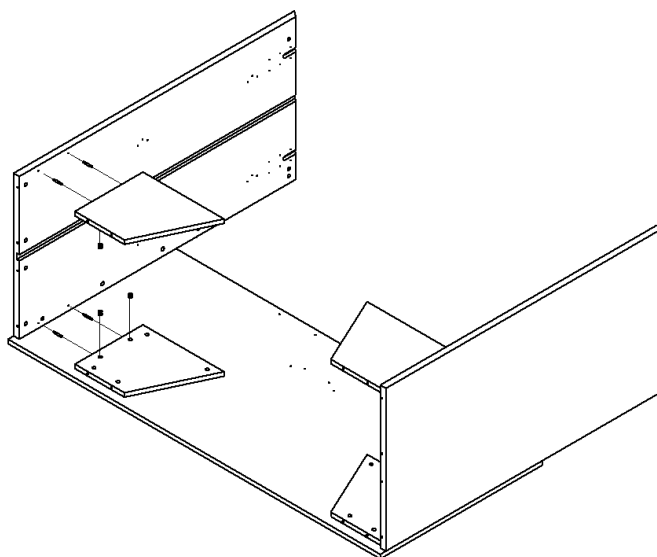
STEP #2 WALL ASSEMBLY

- A. Attach WALL PANEL – LF onto dowels.
- B. Insert CAMS to holes with METAL DOWELS and tighten CAMS with SCREWDRIVER
- C. Repeat steps A and B for WALL PANEL – LF



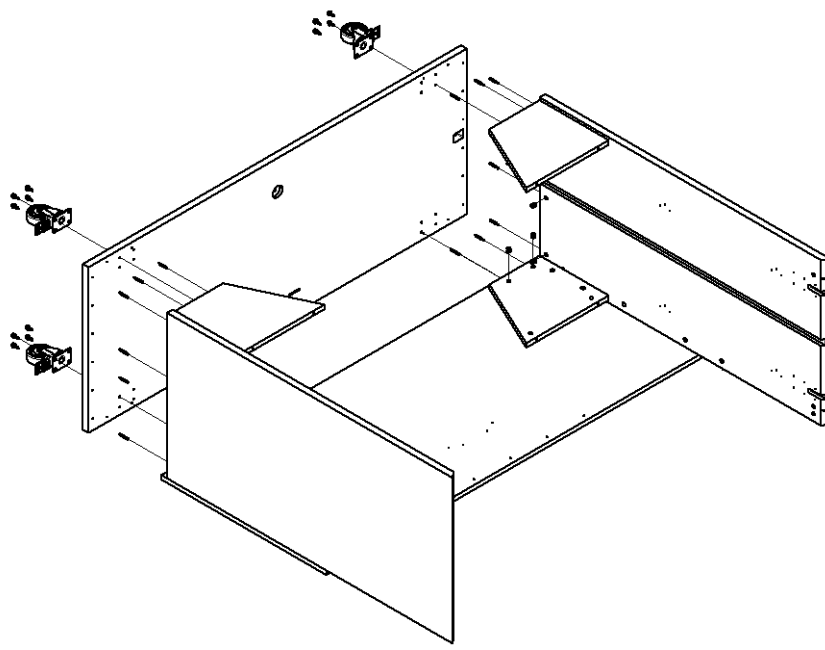
STEP #3 SEAT SUPPORT PANEL ASSEMBLY

- A. Attach (2) SEAT SUPPORT PANEL – RH and (2) SEAT SUPPORT PANEL – LH to the WALL PANELS. Use (2) CAMS and (2) METAL DOWELS for each SUPPORT PANEL, for a total of (8) CAMS and (8) METAL DOWELS. Make sure that the cut-outs for the CAMS are facing the inside, as shown.



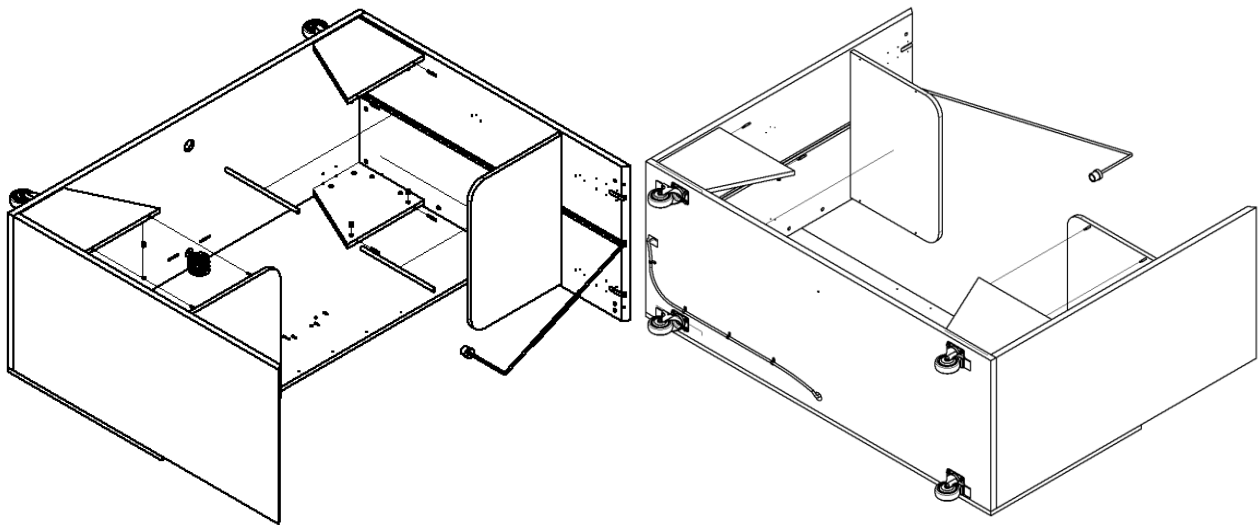
STEP #4 FLOOR ASSEMBLY

- A. Secure (4) PLATE CASTERS to FLOOR PANEL using (16) FLANGED HEX HEAD SCREWS.
- B. Insert (16) METAL DOWELS and in the FLOOR PANEL as shown.
- C. Attach this piece to the WALL PANELS and SEAT SUPPORT PANELS using a SCREWDRIVER to tighten the CAMS.



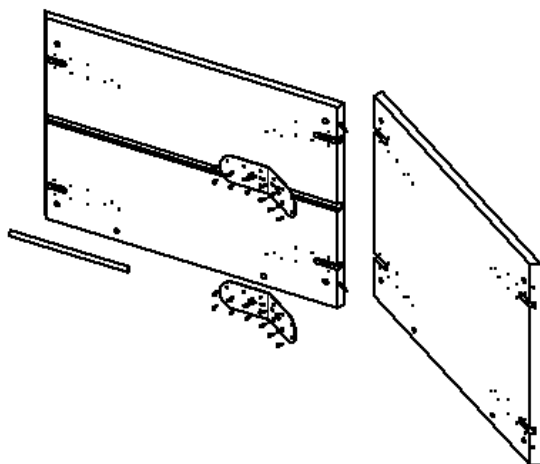
STEP #5 SEAT PANEL ASSEMBLY

- A. Insert (4) METAL DOWELS into each of the (2) SEAT PANELS.
- B. On left side with groove in wall, run LAMP WIRING past SEAT PANEL before securing with CAMS with plug and switch on bottom side of floor.
- C. Pass plug and switch through hole on center backside of FLOOR PANEL
- D. Peel back tape and stick (2) CABLE RACEWAYS to channel and fit CORD through it.
- E. Use (4) LOOP CLAMPS and (4) PAN HEAD SCREWS to secure the cord to underside of FLOOR PANEL
- F. On right side, tighten CAMS to secure NOOK SEAT PANEL



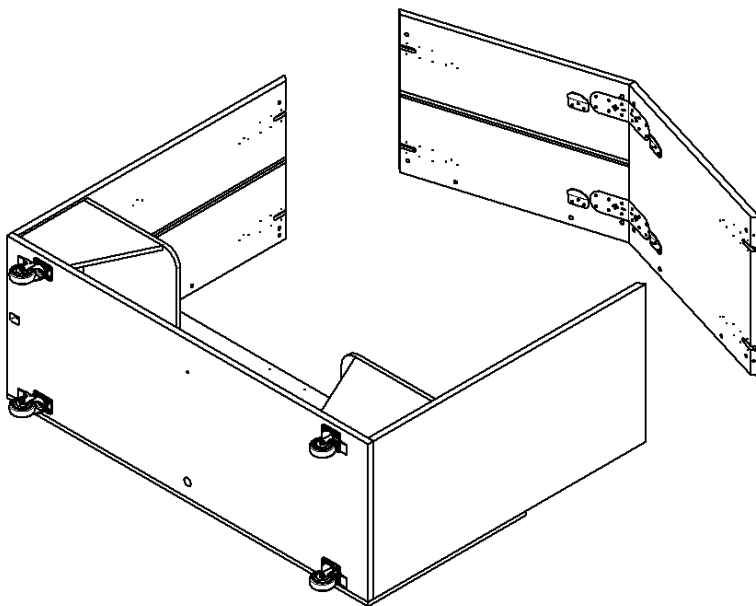
STEP #6 CEILING PANEL SUB-ASSEMBLY

- A. Use (4) CAMS and (2) METAL ARTICULATING DOWELS to secure LH-CEILING PANEL to RH CEILING PANEL
 - B. Peel back tape and stick (1) CABLE RACEWAY to channel.
 - C. Use (2) CEILING TO CEILING BRACKET, to secure CEILING PANELS use (24) PAN HEAD SCREWS
- NOTE: BRACKETS WITH PLUS SIGN GO TO PEAK OF CEILING.**



STEP #7 CEILING PANEL ASSEMBLY

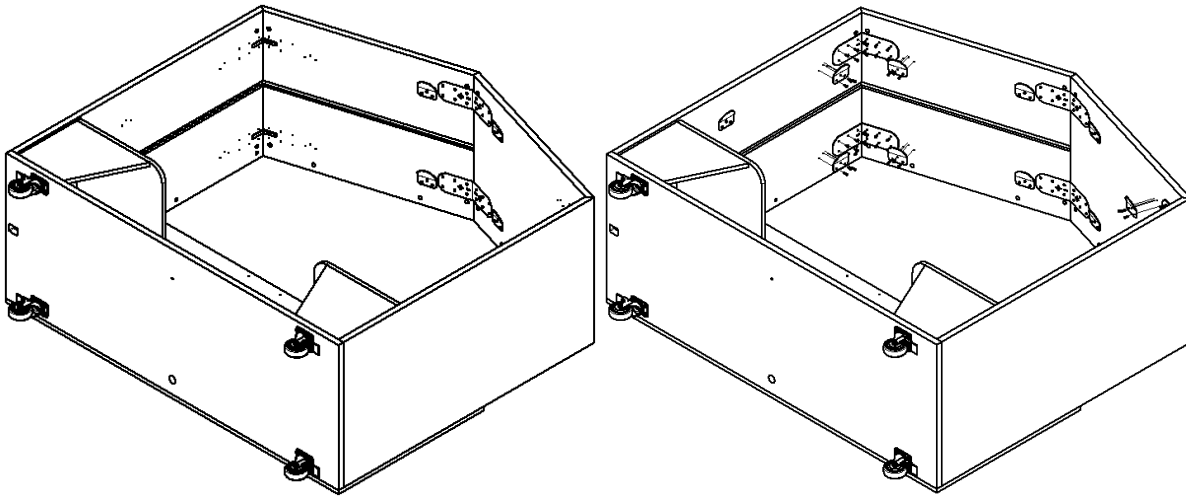
- A. Use (4) CAMS and (2) METAL ARTICULATING DOWELS to secure LH-CEILING PANEL to LH WALL
- B. Repeat STEP #7 A for RH-CEILING PANEL to RH WALL
- C. After aligning panels to minimize visible gap, use (4) BRACKET-WALL TO CEILING to lock panels in place, use (48) PAN HEAD SCREWS to attach brackets.
- D. Fit CORD into CABLE RACEWAY on LH-CEILING PANEL



For better panel alignment place UPPER BACK PANEL or SEAT PANELS under CEILING PANEL assembly while attaching to SIDE WALLS

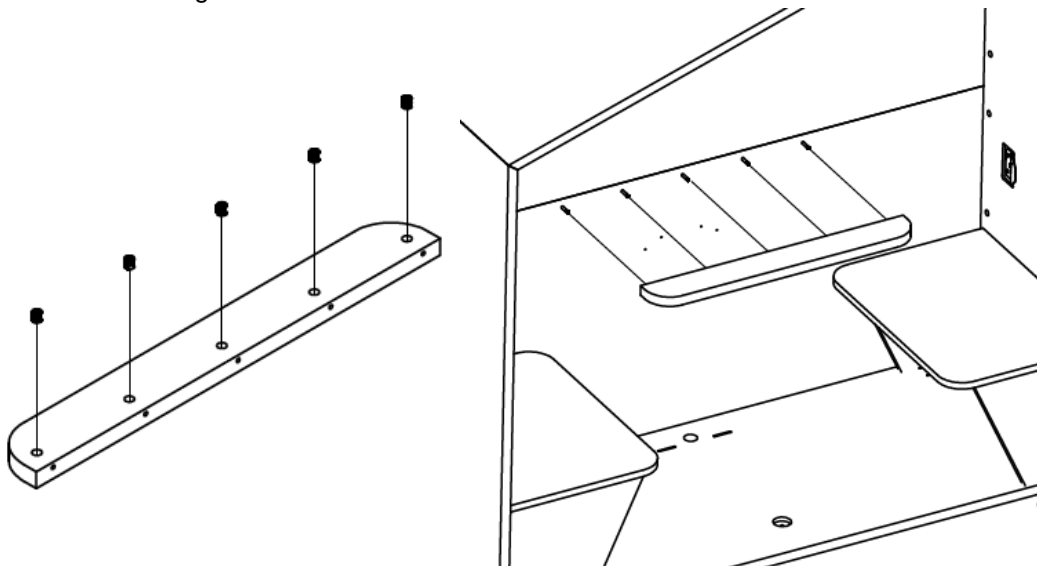
STEP #8 UPHOLSTERY BRACKET ASSEMBLY

A. Install (16) UPHOLSTERY BRACKETS using (48) PAN HEAD SCREWS as shown.



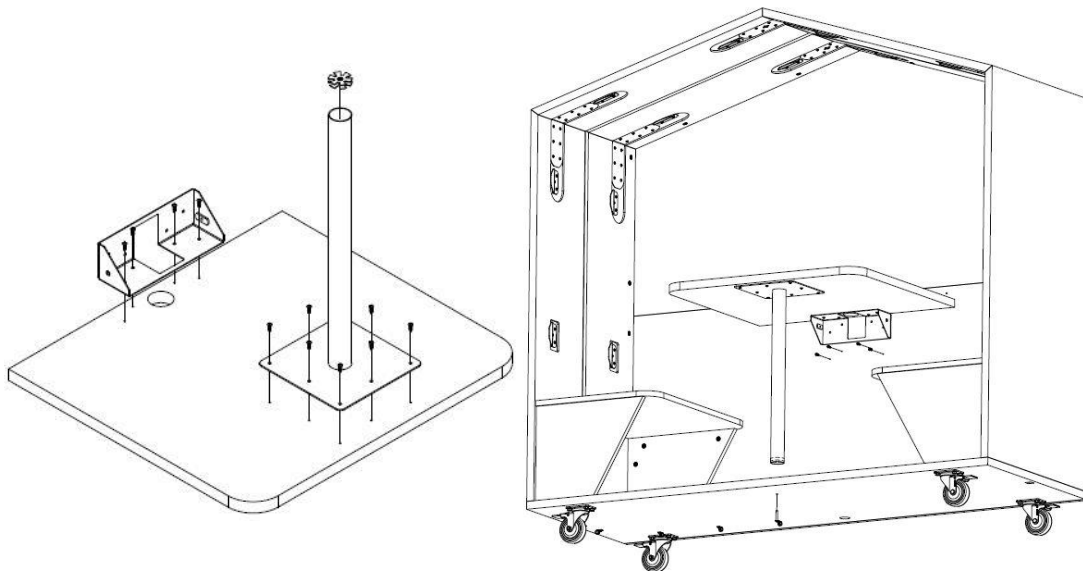
STEP #9 SHELF ASSEMBLY

A. Use (5) CAMS and (5) METAL DOWELS to secure SHELF to the LOWER BACK PANEL. Use a SCREWDRIVER to tighten CAMS.



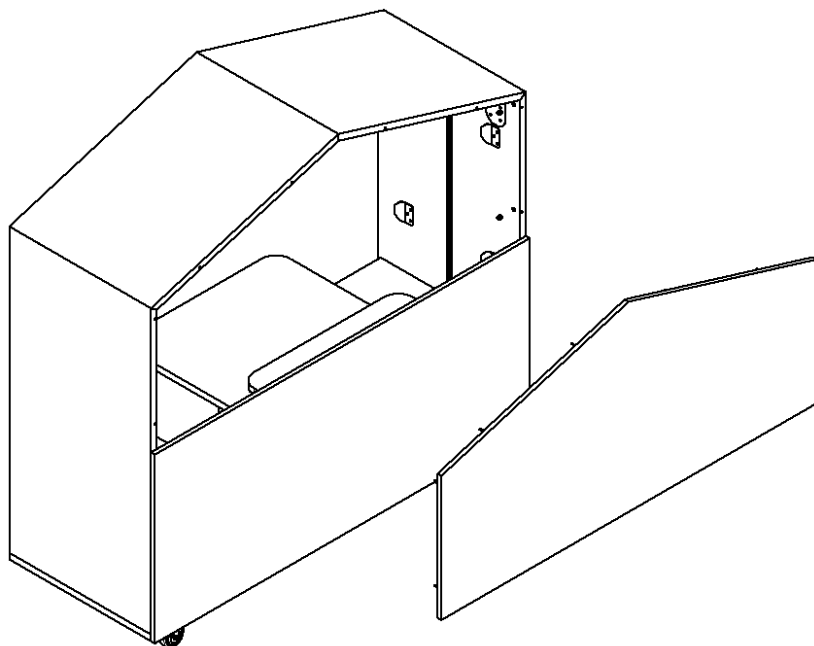
STEP #10 TABLE ASSEMBLY

- A. Use (12) PAN HEAD SCREWS to secure TABLE MOUNT and TABLE LEG to TABLE.
- B. Use a RUBBER Mallet to install THREADED TUBE INSERT into TABLE LEG
- C. Install TABLE ASSEMBLY to LOWER BACK PANEL as shown.
- D. Seat TABLE LEG into cutout on FLOOR PANEL and use the SOCKET CAP SCREW to secure the TABLE LEG to FLOOR PANEL.



STEP #11 INSTALL UPPER BACK PANEL

- A. Stand up on wheels
- B. Insert (8) CAM DOWELS IN BACK PANEL
- C. Align dowels into holes in wall and ceiling.
- D. Insert CAMS and tighten.

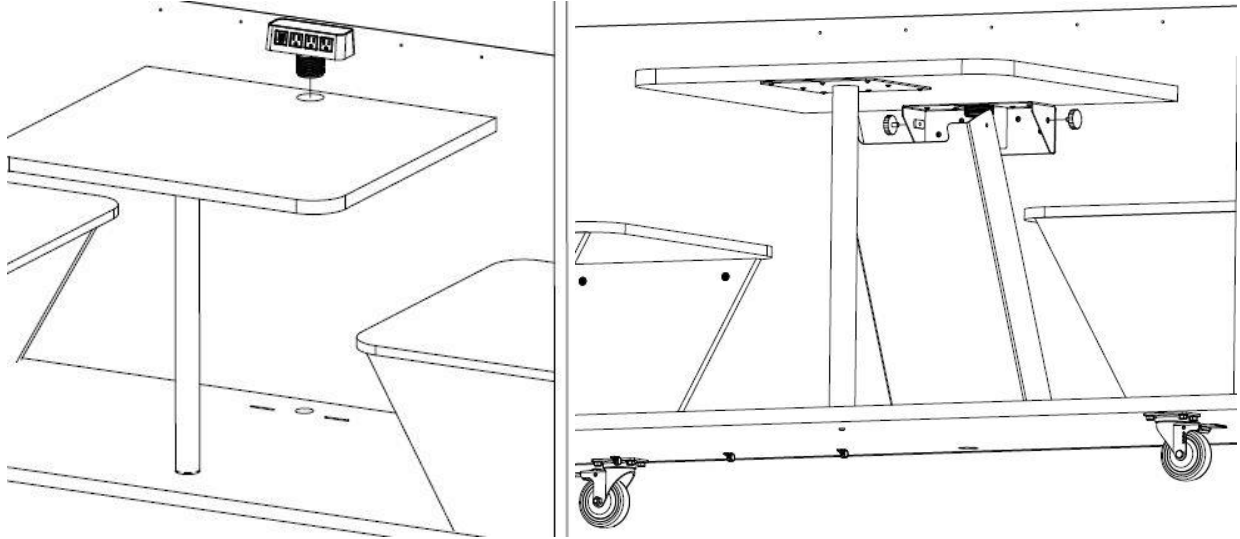


Quick Tip

Tuning in the edge alignment can be done now by loosening CEILING and WALL BRACKET screws $\frac{1}{4}$ to $\frac{1}{2}$ turn and loosen CAMS to adjust edges and retighten when complete.

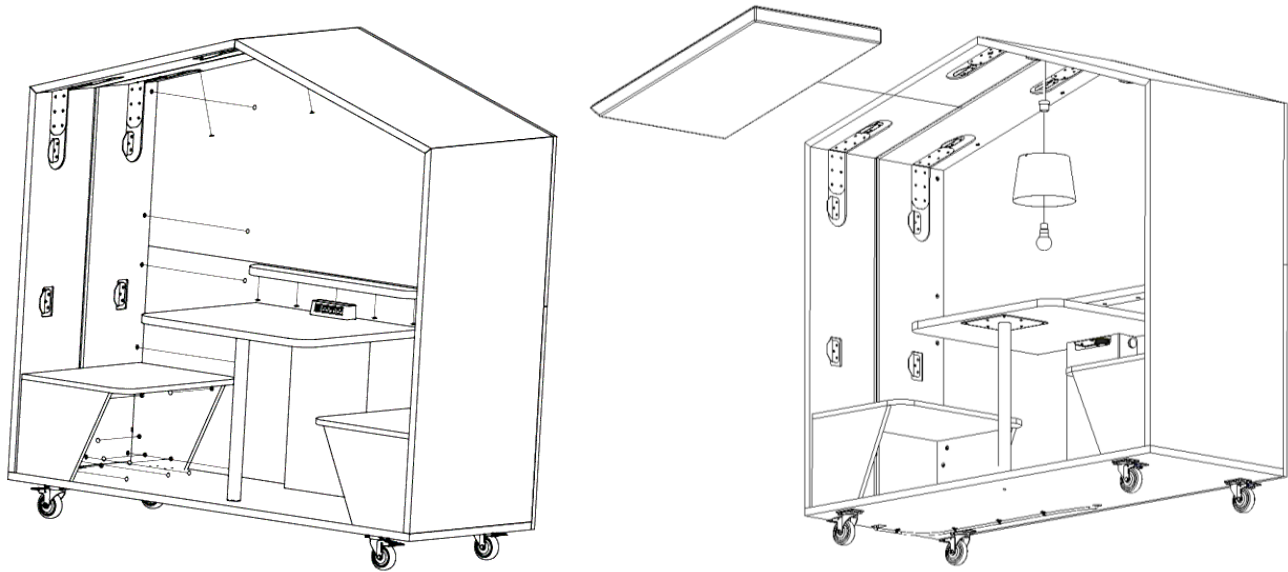
STEP #12 INSTALL TABLE POWER

- Insert TABLE POWER UNIT into hole on TABLE, use provided nut to tighten TABLE POWER UNIT to TABLE.
- Plug in both the TABLE POWER UNIT and the LIGHT WIRING to the POWERSTRIP and route plug of POWERSTRIP out hole of FLOOR PANEL to plug in later.
- Install ELECTRICAL CABINET COVER by lining tabs on bottom of cover with slots cut out in FLOOR PANEL, once lined up you can close the panel and use (2) KNOBS to secure the CABINET COVER closed.



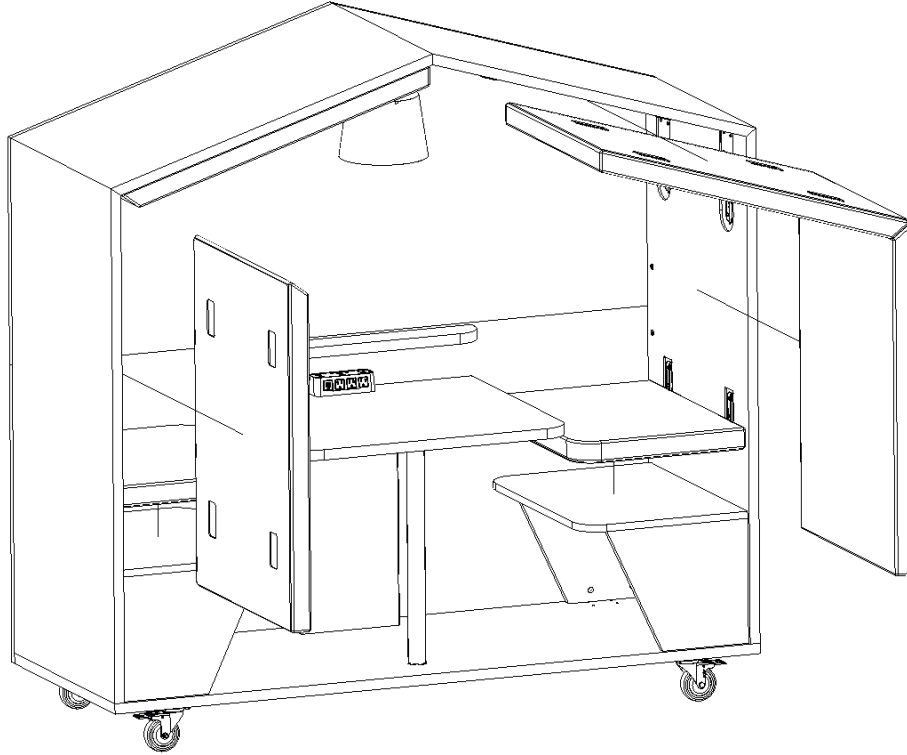
STEP #13 LIGHT WIRE ROUTING

- Install (49) CAM COVERS on (49) CAMS exposed.
- Install (1) UPHOLSTERED CEILING PANEL, make sure that the light cord stays within groove and the metal brackets go inside the pocket on backside of UPHOLSTERED CEILING PANEL
- The LAMP SHADE can be slid over light bulb socket and thread on nut to hold in place
- The LIGHT BULB can be installed now.



STEP #14 UPHOLSTERY

- A. Install the remaining UPHOLSTERED CEILING PANEL and UPHOLSTERED WALL PANELS the same way as described in STEP #11
- B. Use provided hook and loop strips on bottom of UPHOLSTERED SEAL PANELS to SEAT PANEL
- C. ASSEMBLY IS COMPLETE and the electrical can now be plugged into the wall.



CARE & MAINTENANCE

All Top Surfaces – Daily Cleaning

Remove ordinary dirt and smudges with a mild soap and warm water solution. Rinse with a water dampened cloth. Dry with a clean, non-abrasive cloth.

Heavy Cleaning – Laminate

Soiling can be removed with non-abrasive household spray cleaners i.e., Windex®, Formula 409®, Fantastik® and a soft cloth. Rinse cleaned area with water dampened cloth. Dry with a clean, non-abrasive cloth.

Heavy Cleaning – Corian, Fiberglass or Composite

Clean with warm, soapy water or a dedicated countertop cleaner. Dry with a clean, non-abrasive cloth.

Never use harsh solvents or cleaners which are intended for industrial applications. To clean stained or soiled areas, a soft white cloth is recommended. Avoid use of paper towels.

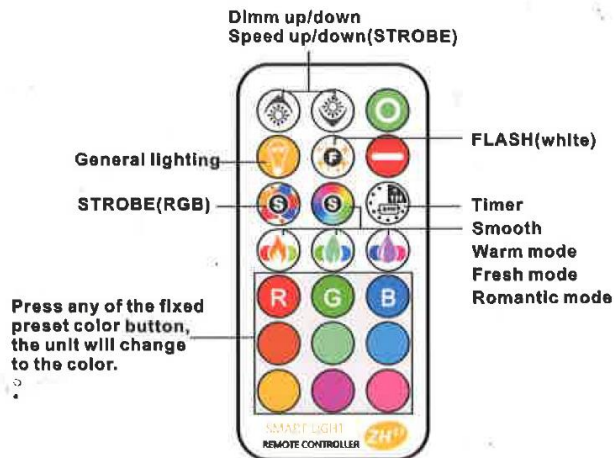
Maintenance:

Touch up any exposed scratched metal with a Rust-oleum™ spray paint. Clear acrylic may be used on fiberglass surfaces.



Specification

Voltage	Frequency	Lumen	CRI
85V-265V AC	50-60Hz	100LM/W	> 85



Function

- One key to start, can adjust the speed of changing of frequency speed between (☀) (☾)
- The preset program, one key to start.
- Lighting mode: Only dimming through the remote control.
- Adjust the brightness of static colors.

USER MANUAL

Thank you for purchasing our products. In order to better use this product, please read the following important information carefully.

Infrared remote control characteristics

- When use, you need to align to the lamp.
- Made of high-end materials, it can work when substances [like cloth, glass] block in between but cannot work when there is a wall or metal etc in middle.

Precautions

- Please be sure to cut off the power before inserting or removing the bulb from holder.
- After use, do not take out the bulb immediately. Cooling down the bulb to normal temperature before taking out.
- Do not use in confined and narrow spaces, it will shorten the life of the bulb and speed up the light failure of the bulb.
- If connect to holder with SCR switch, the light will appear flashing, timing inaccuracy, shifting mode instability, etc.
- Available for outdoor use, but ensure that metal head does not get wet in the rain.
- For the first time use, please remove the insulation slip from the remote control.
- If the control cannot work, please try to remove the battery and insert it. If it is noremote t valid, please email us for remedial measures.

Timing

- Timing (Turn on/off automatically in time everyday)

The instruction to set the timing function:

- (1) Press (🕒) (Flicker one time when press one time, that's mean it will turn off after 1 hours, 2 times means 2 hours, and so on)
- (2) Press (🟢) means confirmation, the light will flicker one time.

- Tips: when finished the timing set, changing the colour ofor mode through the remote control, the bulb will memorize the last colour and mode when next time start the timing

Cancel the timing

- (1) Turn off the power(not remote control)
- (2) Or Press (🟢) five times, the light will flicker one time.



If you got the defective product or any question, Please send email to us | 24 hours service email: led-service@yangcsl.com