

ADULT ASSEMBLY REQUIRED

Model Number: 2161358, 2161364
Outdoor Round Tables

BIRD-IN-HAND
Woodworks, Inc.

Lancaster, Pennsylvania
A member of the School Specialty Family

Product Guide - General Instructions and Information

Customer Service:

P.O. Box 1579
Appleton, WI 54912-1579
Phone: 1-888-388-3224
Customer Care Website:
<https://help.schoolspecialty.com/s/>

Warning:

This product is for children.
Supervision is required at all times.

Warning:

Manufacturer is not responsible for
modifications made to our products
by customers.

Cleaning:

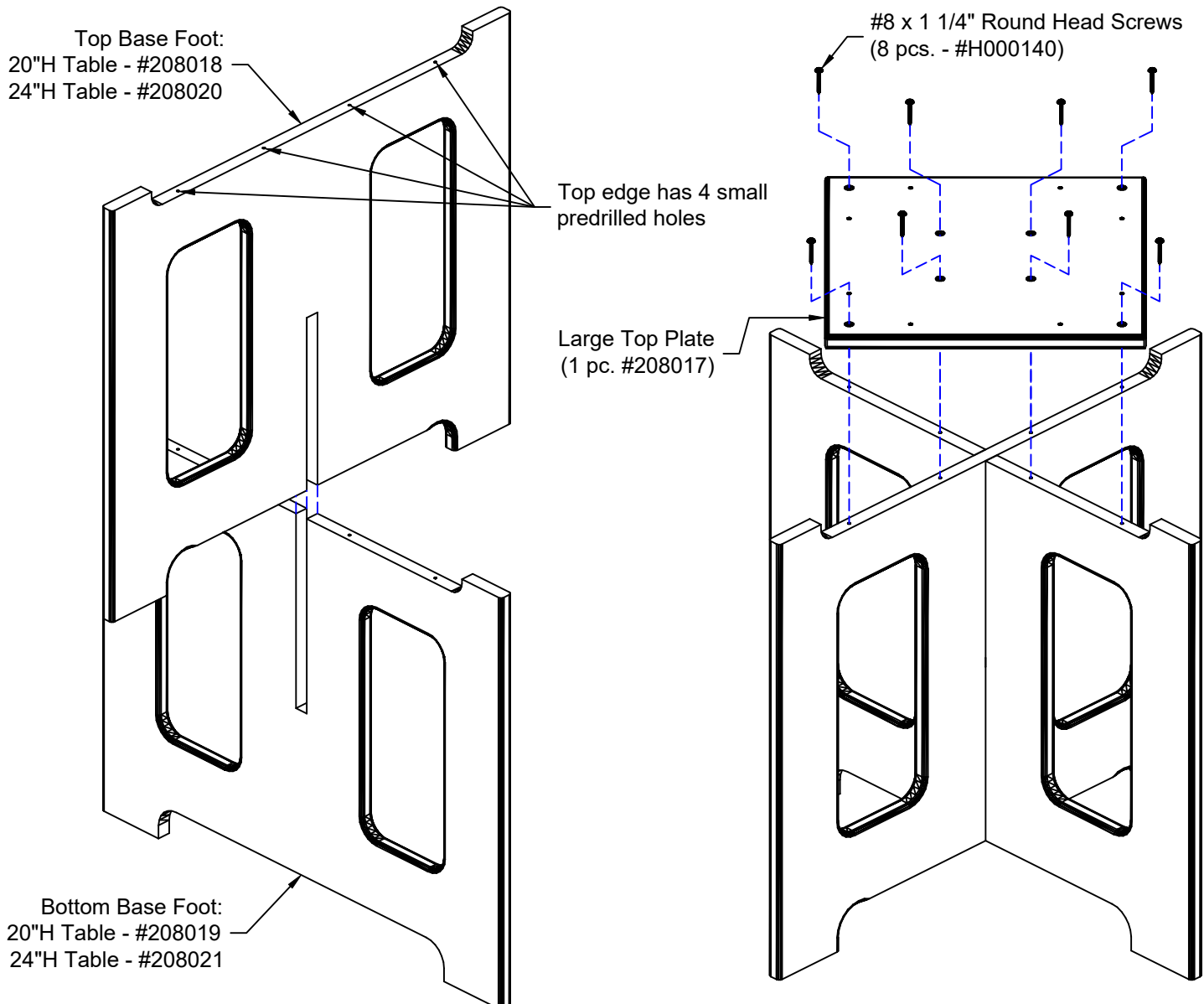
Use a mild soap and water
solution. Be sure to wipe all
water from the surface.

Important:

Do not discard these instructions.
Keep for future reference.

To Assemble Table:

1. Start by slipping the two base pieces together to form an "X". Keep the end with 4 predrilled holes at the top.
2. Locate the large top plate and attach it using the round head screws provided with the table. Use a power screwdriver to drive the screws completely until tight. Over-tightening the screws can cause them to strip out, which will affect the stability of the table.



- Instructions continued on next page -

ADULT ASSEMBLY REQUIRED

BIRD•IN•HAND
Woodworks, Inc.

Lancaster, Pennsylvania
A member of the School Specialty Family

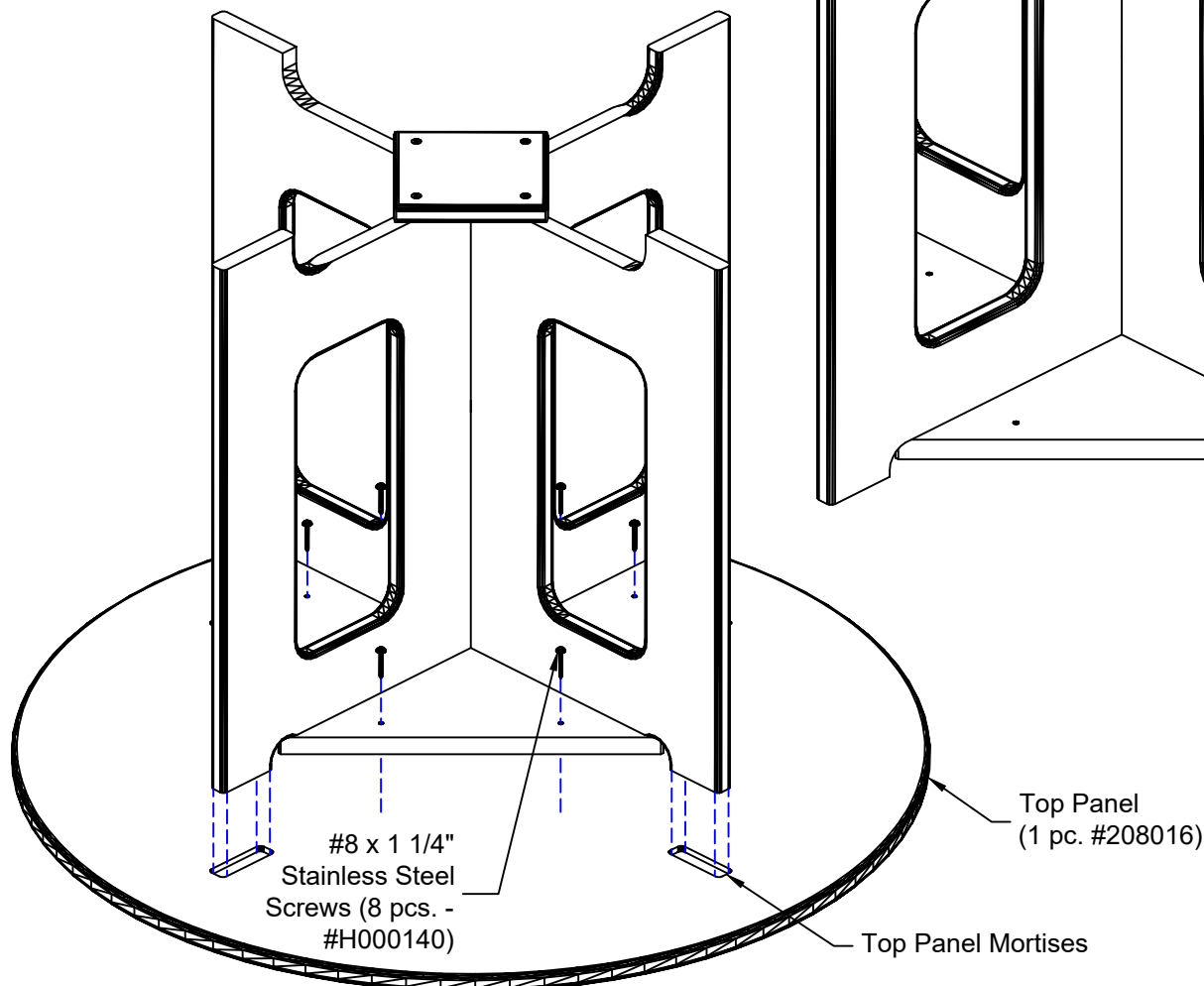
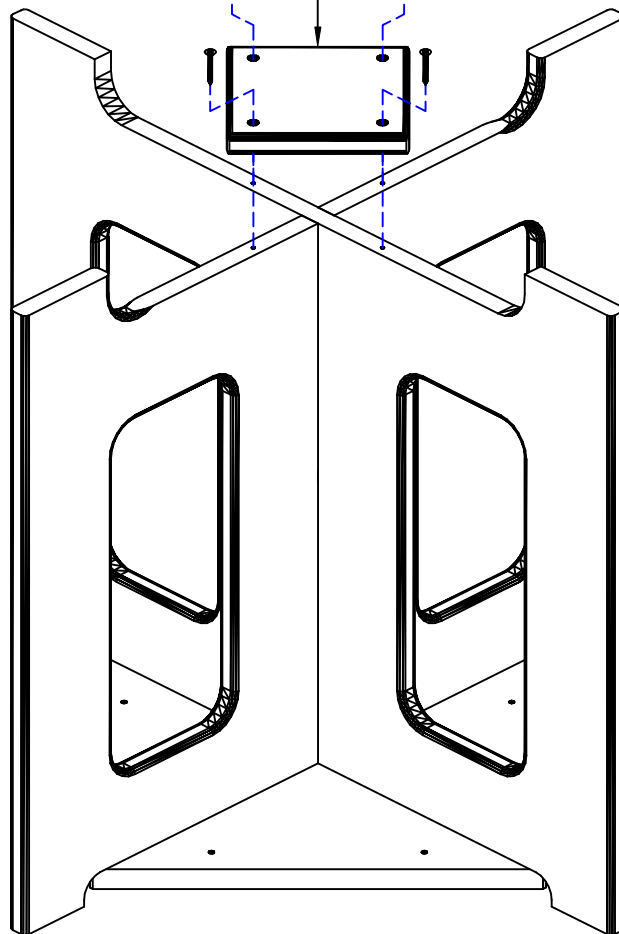
Product Guide - General Instructions and Information

#8 x 1 1/2" Stainless Steel Screws
(4 pcs. - #H000160)

Bottom Base Plate
(1 pc. #208022)

To Finish Assembly:

- Carefully turn the base upside-down and attach the small base plate using 4, flat head screws. Use a power screwdriver to drive the screws completely until tight. Over-tightening the screws can cause them to strip out, which will affect the stability of the table.
- Place the assembled base on the top panel so that it drops into the small mortises. Finish assembly by attaching the base to the top panel using the remaining round head screws



#8 x 1 1/4"
Stainless Steel
Screws (8 pcs. -
#H000140)

Top Panel
(1 pc. #208016)

Top Panel Mortises

Cleaning Polygrain

One of the many benefits of HDPE is that it is water resistant and very easy to clean. HDPE can be cleaned regularly using a standard soap and water solution.

- Using soap and fresh water, wipe down the material with a soft clean towel
- If there is debris on the surface, spray off the affected area first with a hose
- If necessary, remove excess dirt and debris by scrubbing with a soft brush or sponge
- Allow the material to air dry or use a soft towel
- For tougher soiled areas, use 1/2 cup of household detergent and 1 gallon of water to break down the stains
- A pressure washer with no greater than 2000 psi may be used to remove dirt, dust, or other types of airborne particulates. Do not direct the spray close to the furniture. (less than 8")
- Avoid using chemical cleaners, sprays and hard scrubbers which can be abrasive to the material