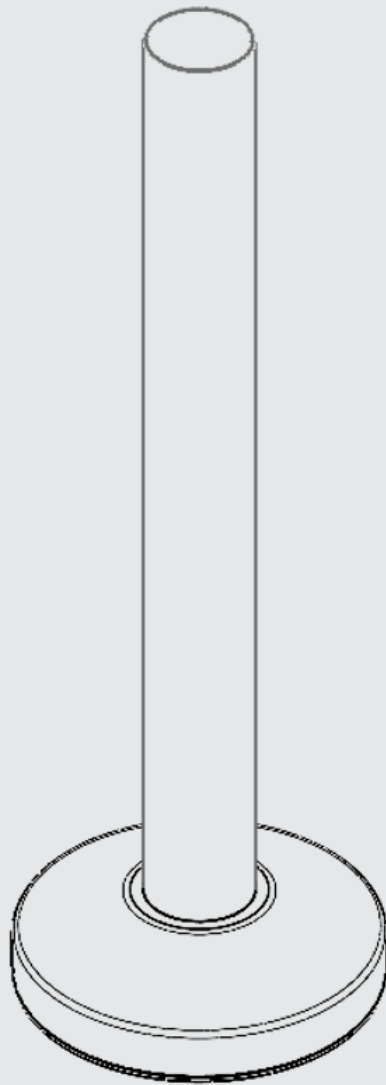


SNOEZELLEN® WATERLESS RAINBOW TUBE

Item#'s 2140487, 2141362

INSTRUCTION MANUAL



PRODUCT DESCRIPTION	3
USER BENEFITS	3
PRODUCT COMPATIBILITY	3
INCLUDED PARTS & MATERIALS	4
TECHNICAL SPECIFICATION	4
PRODUCT SAFETY & CARE INSTRUCTIONS	5
TECHNICAL SPECIFICATION	5
PRODUCT ASSEMBLY GUIDE/INSTALLATION.....	6-7
USER GUIDE	8-10
TROUBLESHOOTING.....	10

PRODUCT DESCRIPTION

Perfect for customers who love bubble tubes but need a water-free alternative. Ideal for environments where infection control is of paramount importance. Visual, Vibrating and with a gentle sound and translucent tube. More than a dozen light effects, choose from static primary colors and moving light patterns. Adjustable speed of the effects. Compatible with Snoezelen®'s Wireless controllers for interactive, wireless control of colors.

USER BENEFITS

- This innovative product is designed to engage and stimulate both sight and touch, providing a multi-sensory experience that enhances user interaction and enjoyment.
- Vibrant Colors: The product features a palette of vibrant, eye-catching colors that draw attention and create a visually appealing experience.
- Dynamic Patterns: Incorporates dynamic patterns that change and evolve, captivating the user's gaze and maintaining visual interest.
- Enhanced Engagement: By stimulating both sight and touch, the product keeps users engaged and interested for longer periods.
- Improved Sensory Development: Particularly beneficial for children and individuals with sensory processing disorders, aiding in sensory development and integration.

PRODUCT COMPATIBILITY

2122029 Snoezelen® Bubble Tube Collar, Clear, 6 Inch
2140489 Snoezelen® Bubble Tube Filling Pump with Power Supply Pump
2123508 BCB Water Treatment Fluid, 16.9 Ounces
Cushioned Platform - See Site options
20511 Snoezelen® Acrylic Splash Mirror
2144235 Snoezelen® Acrylic Wall Mirror
2119933 Snoezelen® Interactive Controller for Bubble Tubes
2121732 Snoezelen® Bubble Tube Balls, Set of 15
2120147 Snoezelen® WiFi Wireless Controller
2120277 Snoezelen® Mini Play Cube Controller
2120037 Snoezelen® Color Command Center

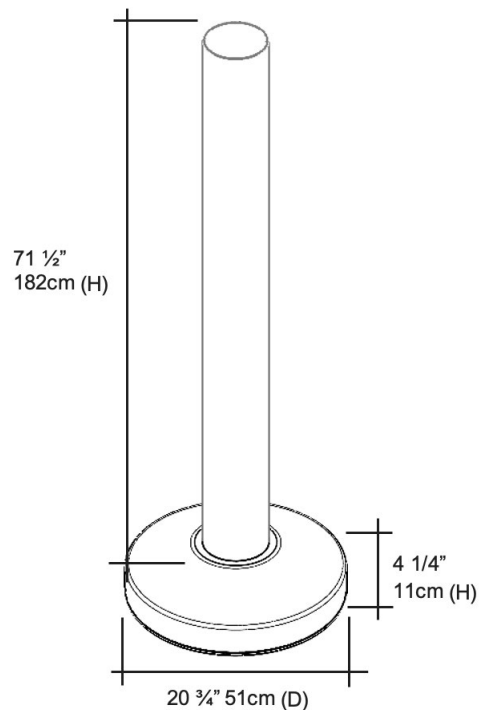
INCLUDED PARTS & MATERIALS

- Size: 71½" (182cm) H overall
- Size: 61¾" (157cm) H overall
- Base Size: (20¾") 51cm diameter x (4¼") 11cmH
- Tube Diameter: 6" (15cm)
- Material: Acrylic Tube
- Power Supply: 230V/110V
- Output 12V AC 60W

(The power supply is UL listed – E1494743G58, and meets the requirements of BS EN61558-1 and BS EN61558-2-6)

- Remote control: Includes 3.7V Li-SOC12 batteries
- Snoezelen® Waterless Rainbow Tube is supplied in 2 boxes:
 - 1 x Snoezelen® Waterless Rainbow Tube column
 - 1 x Snoezelen® Waterless Rainbow Tube base
- Power supply
- 1 x remote control unit

TECHNICAL SPECIFICATION



PRODUCT SAFETY & CARE INSTRUCTIONS

Safety

Note: Always supervise the use of this product.

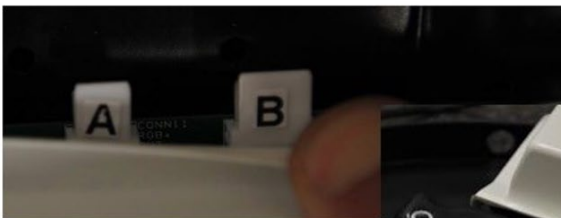
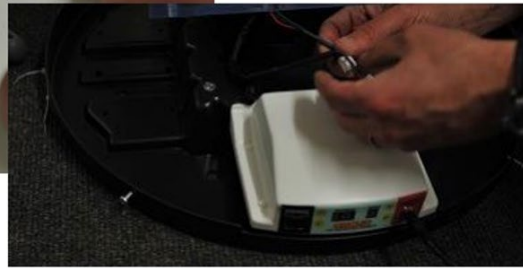
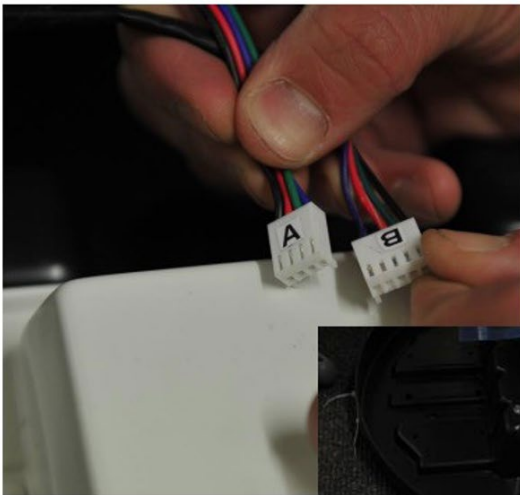
- Only use the power supply supplied with this Snoezelen® Waterless Rainbow Tube. Do not connect any other power supply as this may damage the tube. We recommend that you label this power supply to identify it as a component of this product, so that should this be separated from the tube, you will be able to retrieve it without any confusion.
- Use indoors, in dry environments.
- This product is not a toy. Ensure that it is supervised at all times.
- The Snoezelen® Waterless Rainbow Tube should not be lifted up by the user or bumped into with force, as this could damage the product or cause injury.
- Remove all packaging before use and either store this in a safe place out of reach of clients or dispose of this responsibly. Plastic bags and wrapping can be hazardous to children and vulnerable people.
- Keep away from sources of heat and fire.
- Use with a collar if there is any risk of the column being knocked over.

Care and Maintenance

- All parts of the Snoezelen® Waterless Rainbow Tube should be checked regularly
- Store in a safe place out of direct sunlight when not in use
- Do not allow unsupervised use of this product
- Wipe off accidental marks using a mild detergent and a damp cloth, avoiding excessive amounts of water
- Do not use cleaners containing abrasives or solvent-based chemicals such as trichloroethane or carbon tetrachloride. Mild liquid dish detergents are ideal for cleaning

PRODUCT ASSEMBLY GUIDE/INSTALLATION

1. Two people will need to work together to assemble this product – one person to hold the tube steady and another to connect the connectors in the chassis.
2. Remove all packaging.
3. Check the product to ensure that it hasn't been damaged in transit.
4. Remove the white cover by loosening the screws around the perimeter of the chassis. Twist and pull up to remove.
5. Remove the four longer screws located on the top of the black chassis.
6. Connect the two leads from the column to the corresponding connectors on the two leads in the base. There are only two possible matches, one 4-pin and one 5-pin so incorrect connections are not possible.



7. There may be a round socket close to the A and B connectors shown above. Do not connect the power supply into this socket.
8. Secure the column to the base using the bolts provided in the base.
9. Connect the power supply to the circular POWER IN 12V AC socket on the tube base. This circular socket is to the extreme right of the control panel.
10. Plug the Snoezelen® Waterless Rainbow Tube into a standard electrical outlet. Only one outlet is required.
11. Turn on the tube using the remote. A gentle humming sound will be heard and subtle vibrations felt (notably towards the lower part of the tube) from the pump in the base. These are intentional features to add multi-sensory value to the product
12. Do not put any liquids, including water inside the tube.
13. Remote comes installed with 2 x 3.7V Li-SOC12 batteries inside the remote control. To replace the batteries, slide the battery compartment door off the back of the remote control (not secured by a screw) Install 2 new 3.7V Li-SOC12 batteries following the polarity indicated (to be purchased separately)

USER GUIDE

Modes: The Snoezelen® Waterless Rainbow Tube features 23 selectable modes using the remote control's up and down arrows. The chosen mode is displayed on both the tube and the remote. The remote works even when the tube is in a cushioned platform.

MODES 1 to 5 are solid, non-moving light effects

MODES 6 to 17 are changing light effects

- MODE 1 - Solid, static red color in the whole tube
- MODE 2 - Solid, static green color in the whole tube
- MODE 3 - Solid, static blue color in the whole tube
- MODE 4 - Solid, static yellow color in the whole tube
- MODE 5 - Solid, static purple color in the whole tube
- MODE 6 – No colored lights when the mode is first selected, then blue light begins at the bottom of the tube and gradually fills up the tube until the whole tube is blue. Once the blue light has reached the top of the tube, red light gradually begins at the top of the tube and gradually fills down the tube. Once the red light has reached the bottom, green light fills the tube up, then a purple light fills down the tube and so on.
- MODE 7 – multi-colored bars of light move up the tube with non-illuminated areas in between these bars
- MODE 8 - red bars of light move up the tube with non-illuminated areas in between these bars
- MODE 9 - purple bars of light move up the tube with non-illuminated areas in between these bars
- MODE 10 - blue bars of light move up the tube with non-illuminated areas in between these bars
- MODE 11 - green bars of light move up the tube with non-illuminated areas in between these bars
- MODE 12 - multi-colored blocks of light move up the tube with non-illuminated areas in between these bars. The non-illuminated areas are smaller than in modes 7 to 11
- MODE 13 – colored light radiates out from the center of the tube until the whole tube is illuminated. The colors change in sequence – yellow light fills the tube from the center, then blue, then red, then green, then white, then purple, then yellow again
- MODE 14 - colored light radiates out from the top and bottom of the tube towards the center until the whole tube is illuminated. The colors change in sequence – yellow light fills the tube from the center, then blue, then red, then green, then white, then purple, then yellow again
- MODE 15 – colored light fills the tube from the top to the bottom, changing color in sequence
- MODE 16 – multi-colored thin bars of color move up the tube

Modes: The Snoezelen® Waterless Rainbow Tube features 23 selectable modes using the remote control's up and down arrows. The chosen mode is displayed on both the tube and the remote. The remote works even when the tube is in a cushioned platform.

MODES 1 to 5 are solid, non-moving light effects

MODES 6 to 17 are changing light effects

- MODE 1 - Solid, static red color in the whole tube
- MODE 2 - Solid, static green color in the whole tube
- MODE 3 - Solid, static blue color in the whole tube
- MODE 4 - Solid, static yellow color in the whole tube
- MODE 5 - Solid, static purple color in the whole tube
- MODE 6 – No colored lights when the mode is first selected, then blue light begins at the bottom of the tube and gradually fills up the tube until the whole tube is blue. Once the blue light has reached the top of the tube, red light gradually begins at the top of the tube and gradually fills down the tube. Once the red light has reached the bottom, green light fills the tube up, then a purple light fills down the tube and so on.
- MODE 7 – multi-colored bars of light move up the tube with non-illuminated areas in between these bars
- MODE 8 - red bars of light move up the tube with non-illuminated areas in between these bars
- MODE 9 - purple bars of light move up the tube with non-illuminated areas in between these bars
- MODE 10 - blue bars of light move up the tube with non-illuminated areas in between these bars
- MODE 11 - green bars of light move up the tube with non-illuminated areas in between these bars
- MODE 12 - multi-colored blocks of light move up the tube with non-illuminated areas in between these bars. The non-illuminated areas are smaller than in modes 7 to 11
- MODE 13 – colored light radiates out from the center of the tube until the whole tube is illuminated. The colors change in sequence – yellow light fills the tube from the center, then blue, then red, then green, then white, then purple, then yellow again
- MODE 14 - colored light radiates out from the top and bottom of the tube towards the center until the whole tube is illuminated. The colors change in sequence – yellow light fills the tube from the center, then blue, then red, then green, then white, then purple, then yellow again
- MODE 15 – colored light fills the tube from the top to the bottom, changing color in sequence
- MODE 16 – multi-colored thin bars of color move up the tube
- MODE 17 – bars of color radiate out until all the tube is one color. This changes color in sequence

- MODES 18 to 22 – ‘bubble’ effect in single colors – e.g. red or green
- MODE 23 – ‘bubble’ effect with continuously changing color

*Note: Once set to mode 23, pressing the up arrow again will not change any setting – mode 1 will not be accessible. The down arrow must be used next.

Once switched off, the tube will start up in the last mode selected.

This waterless tube is not sound-responsive.

Pattern Speed:

The speed of the color-changing patterns can be adjusted using the SPEED buttons on the remote-control unit. The tube has 5 speed settings. Once the fifth speed has been selected (a 5 is visible in the digital display), a further press of the Speed up arrow will not change any setting – the Speed down must be pressed.

Using the 2120147 Snoezelen®
WiFi Wireless Controller
(to be purchased separately)



Choose a color and corresponding sound by pressing buttons 1 to 8

Pressing the central button will revert the tube to the last mode selected.

Please refer to the separate instructions for the Snoezelen® WiFi Wireless Controller. This is an example of using just one of our Wi-Fi Controllers with this tube. Please refer to the list of compatible products above and refer to the separate instructions for each of these. Please note that once a Wi-Fi controller has been used, there will be a one-minute delay after the last color was chosen before the tube resumes its original non-interactive function.

TROUBLESHOOTING

In the unlikely event of product failure, please check the following:

Mode will not change

- Check that the remote control has new batteries in it, and replace the batteries as required.

Will not power on

- Check the connection to the base of the tube and ensure it is fully inserted.
- Check the leads internally are connected and are fully inserted.