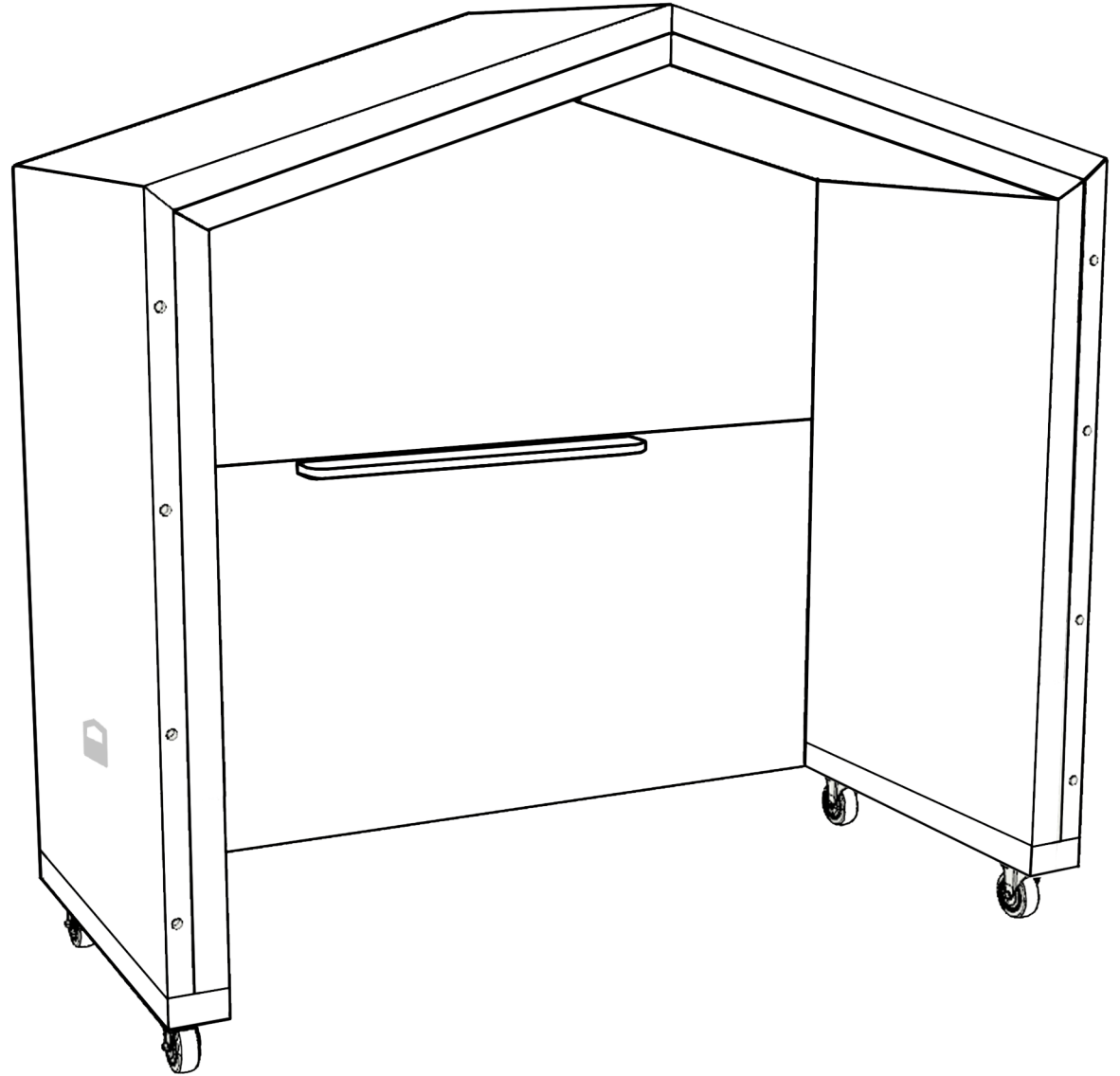




# NOOK

## SHELTER POD

Assembly Instructions

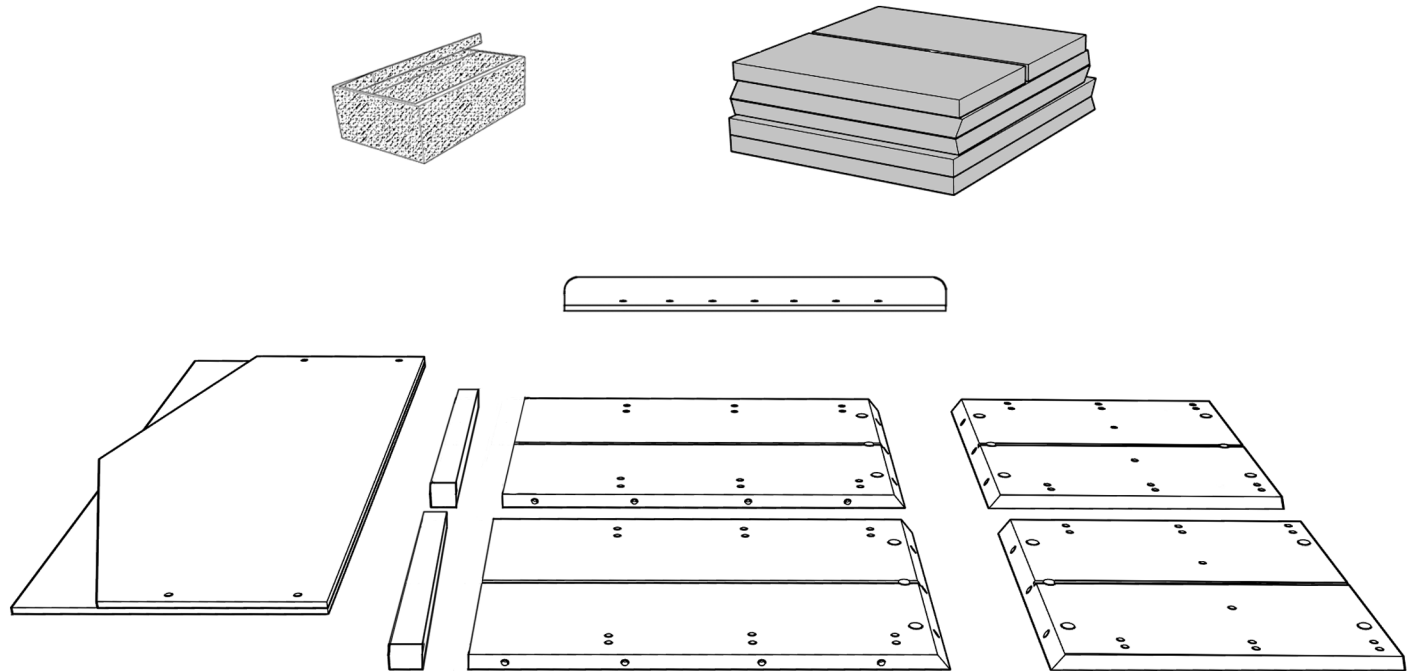




## Section A

---

1. Unpacked Nook Kit. Remove the Upholstery, Hardware boxes and set to one side.
2. Use the cardboard supplied to create a protective layer between nook parts and, if present, a hard floor.
3. Set out the Roof parts and the side as shown, ready for assembly.

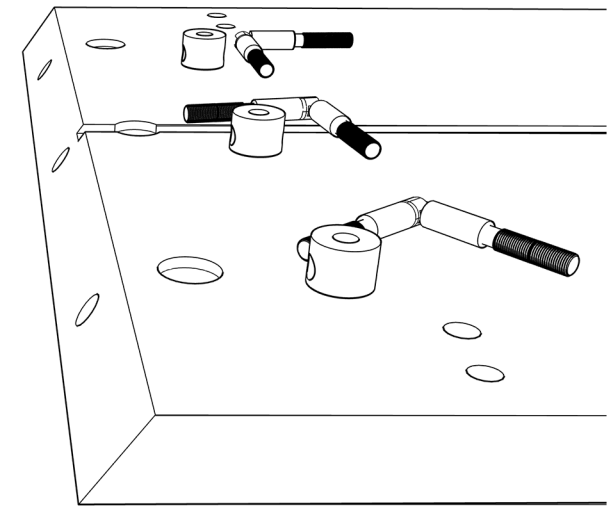
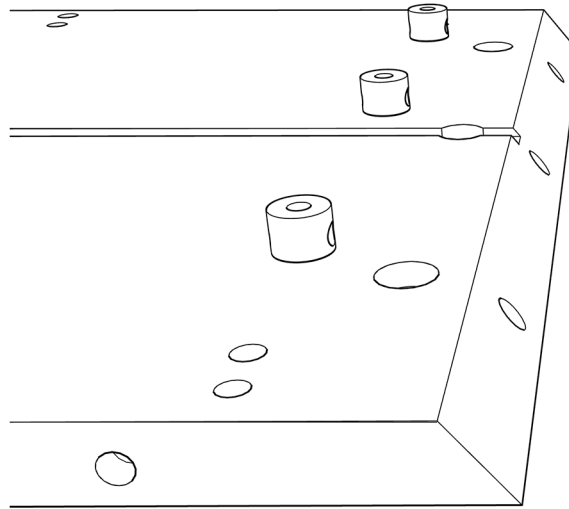




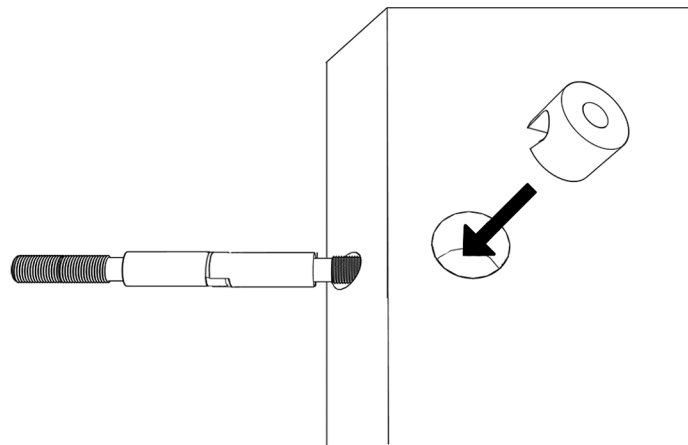
## Section A

4. Lay out the angled zip bolts for fixing the roof to the side.
5. Insert the zip bolt in to the side and drop the zip bolt screw head on to the bolt.
6. Turn the zip bolt to catch the screw head and screw in place enough to catch the screw head.
7. Complete this task for all three zip-bolts in this area.

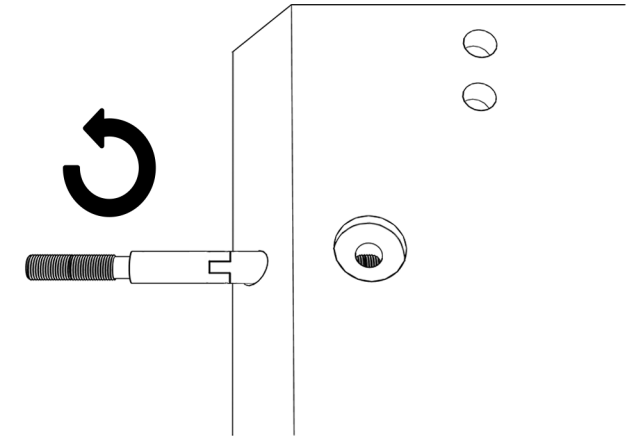
4.



5.



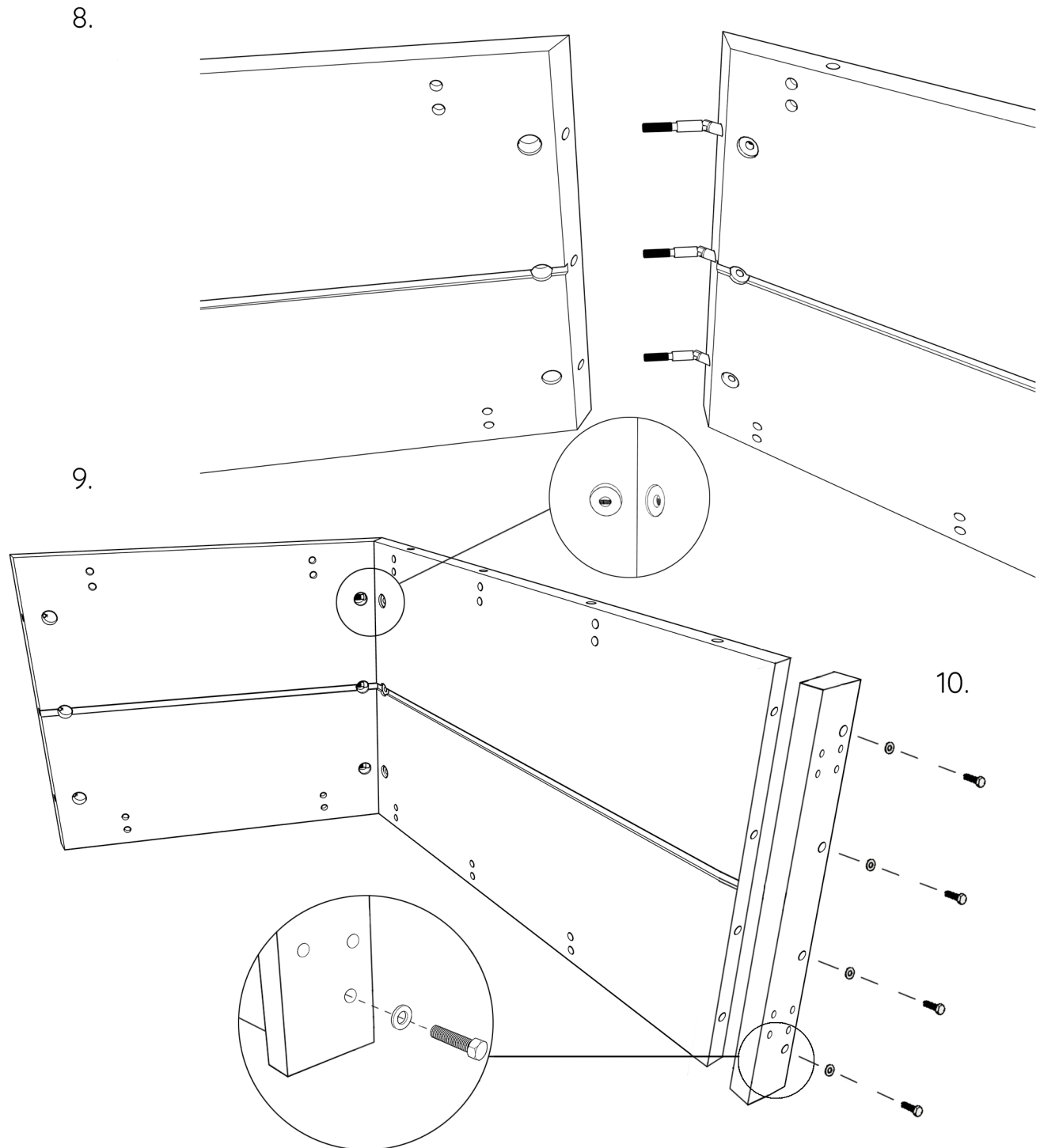
6.





## Section A

8. Bend all three zip-bolts at the knuckle and insert the loose ends into the roof.
9. As per step 5, insert the screw head on to the zip-bolt inside the roof and tighten.
10. Offer up the Castor Base Plate to the Side Panel using the Washers and Bolts, and tighten securely. Make sure the excess of the Castor Base plate is inside the Nook Shell.





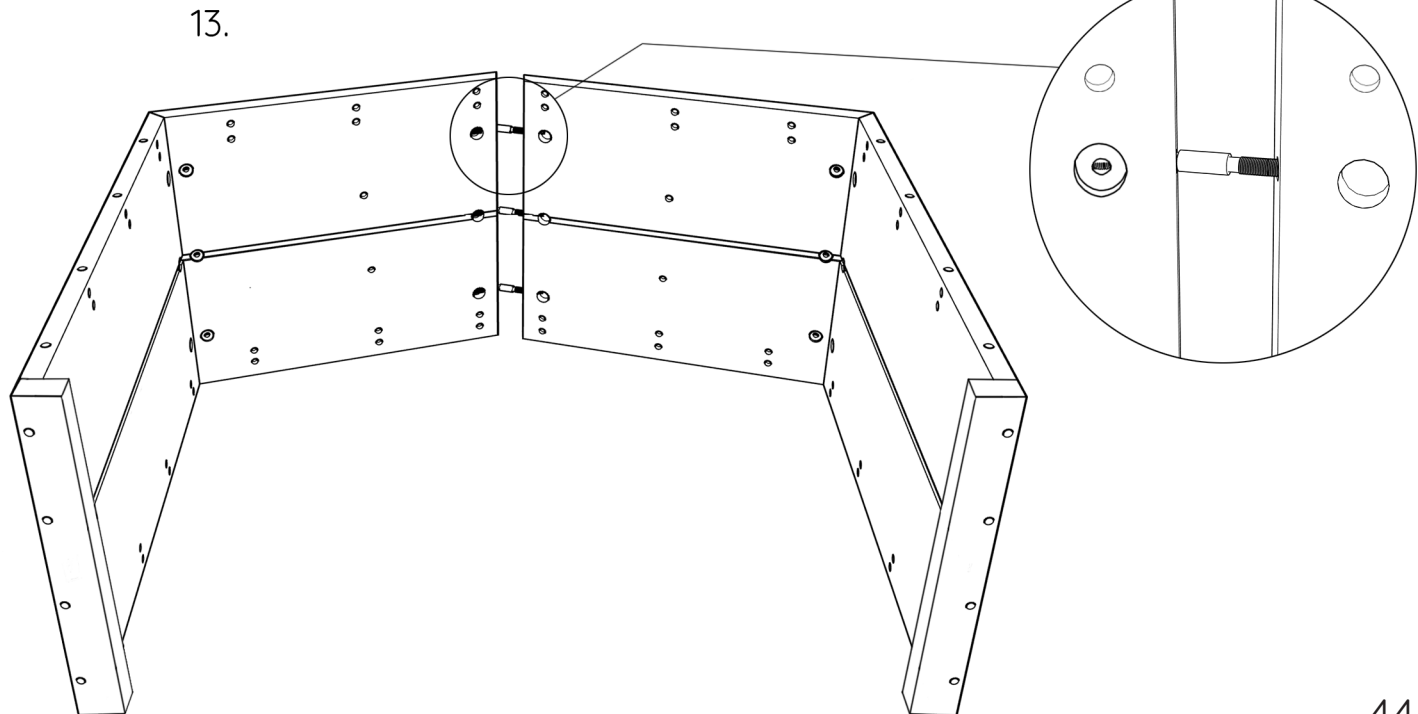
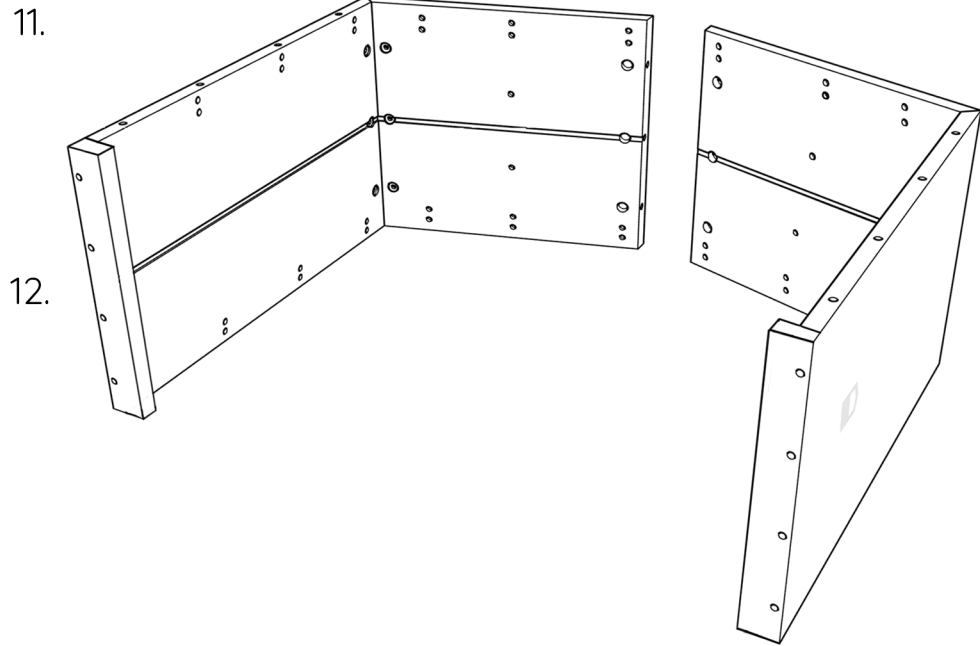
## Section A

---

11. Tighten both sets of screwheads alternately until the side and roof are in perfect alignment.

Note: Adjustments can be made by releasing one side & tightening the other.

12. Complete this task for both sides & roofs, then bring together.
13. Repeat this technique to join roof to roof, adjusting for a perfect join as you go.



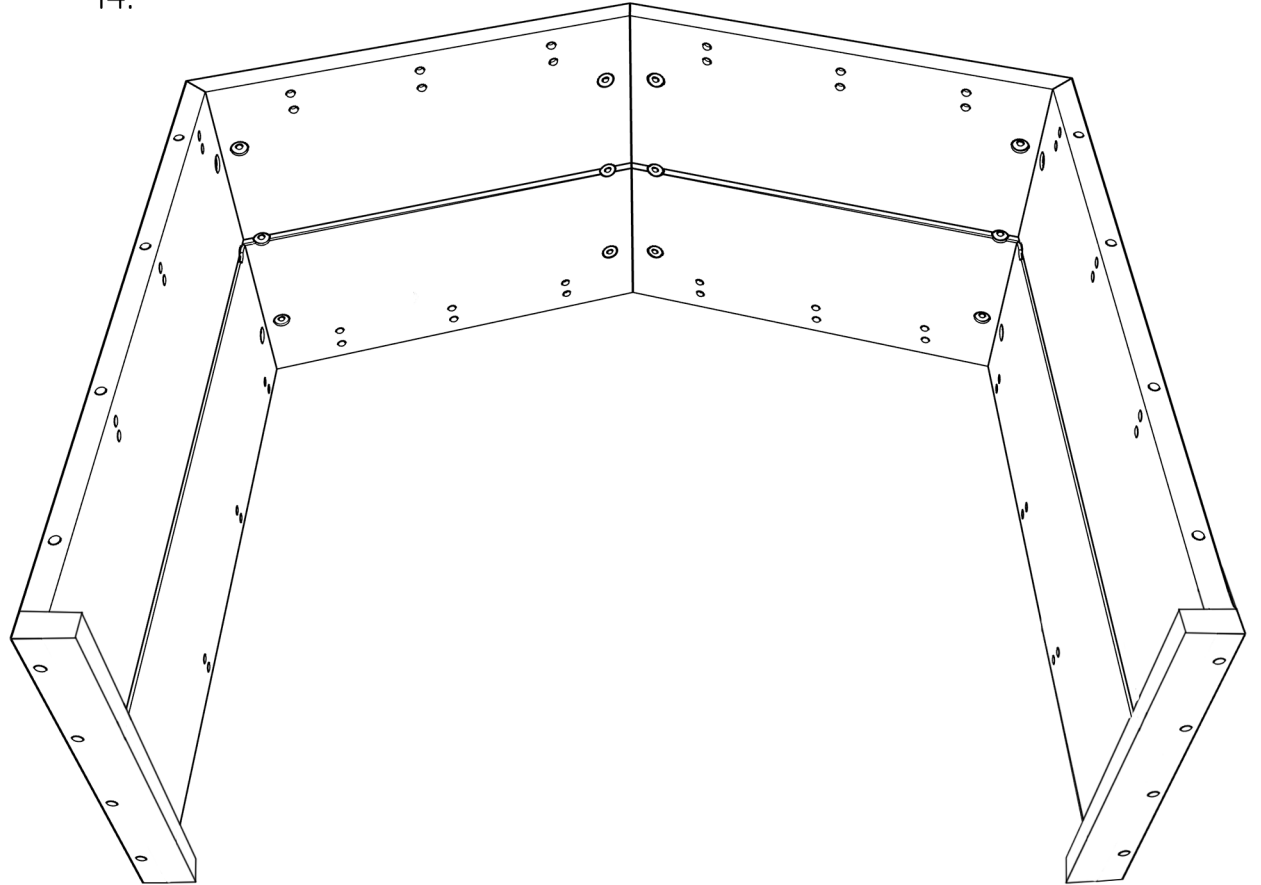


## Section A

---

14. The completed Upper Nook Shell should look like this.

14.



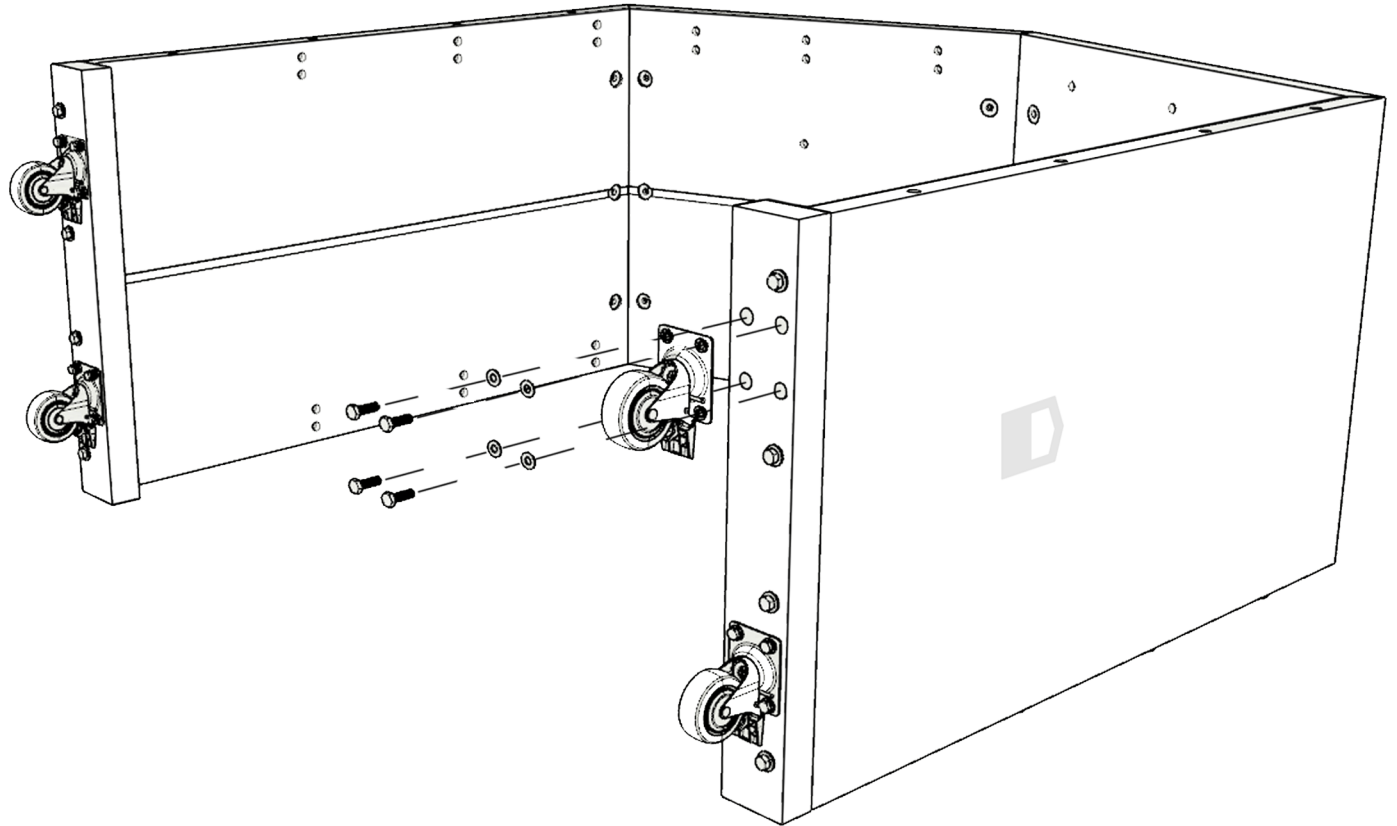


## Section A

---

15. Using the Bolts & Washers secure the castors onto the Castor Base, and lock in place.

15.





## Section A

16. Keeping the nook on its side, use the mallet to carefully insert the upholstery pegs in to the 6 outer holes in each Nook Side Panel and 8 holes in each Nook Roof.

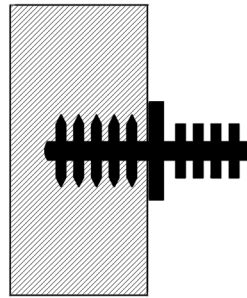
### Note:

There are 6 inner set of redundant holes in the Nook Side Panel incase the pegs are damaged.

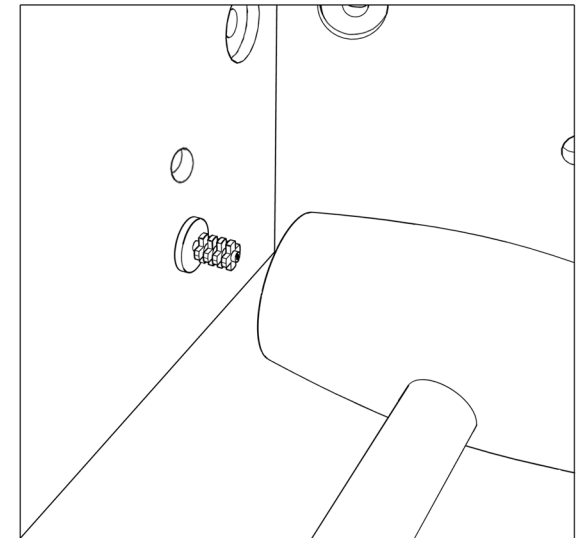
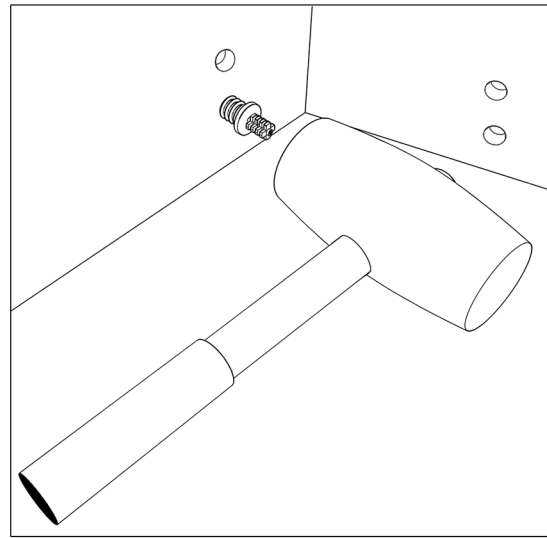
Take care not to force the peg too far in to the hole. The peg collar should rest against the panels surface.

The pegs with plus symbol side should be left exposed.

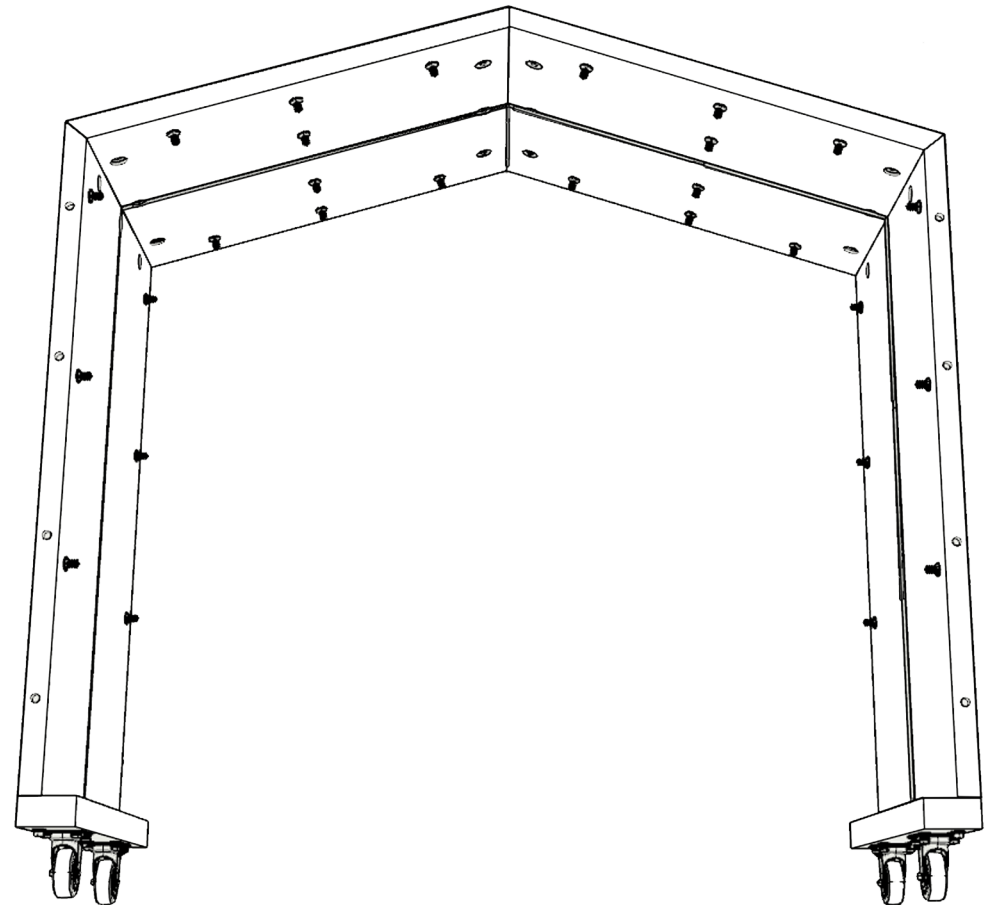
17. When all upholstery pegs are in place, the nook should look like this.



16.



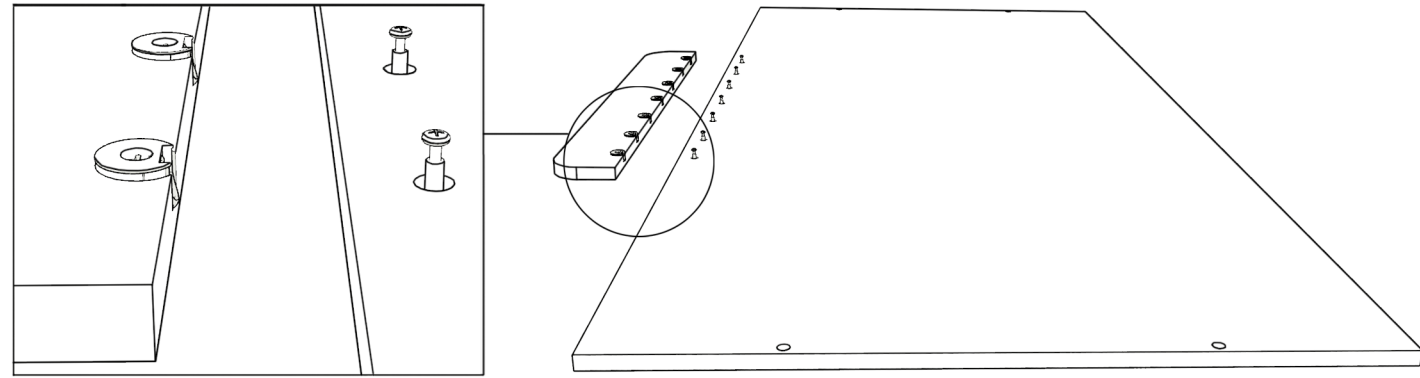
17.







18.

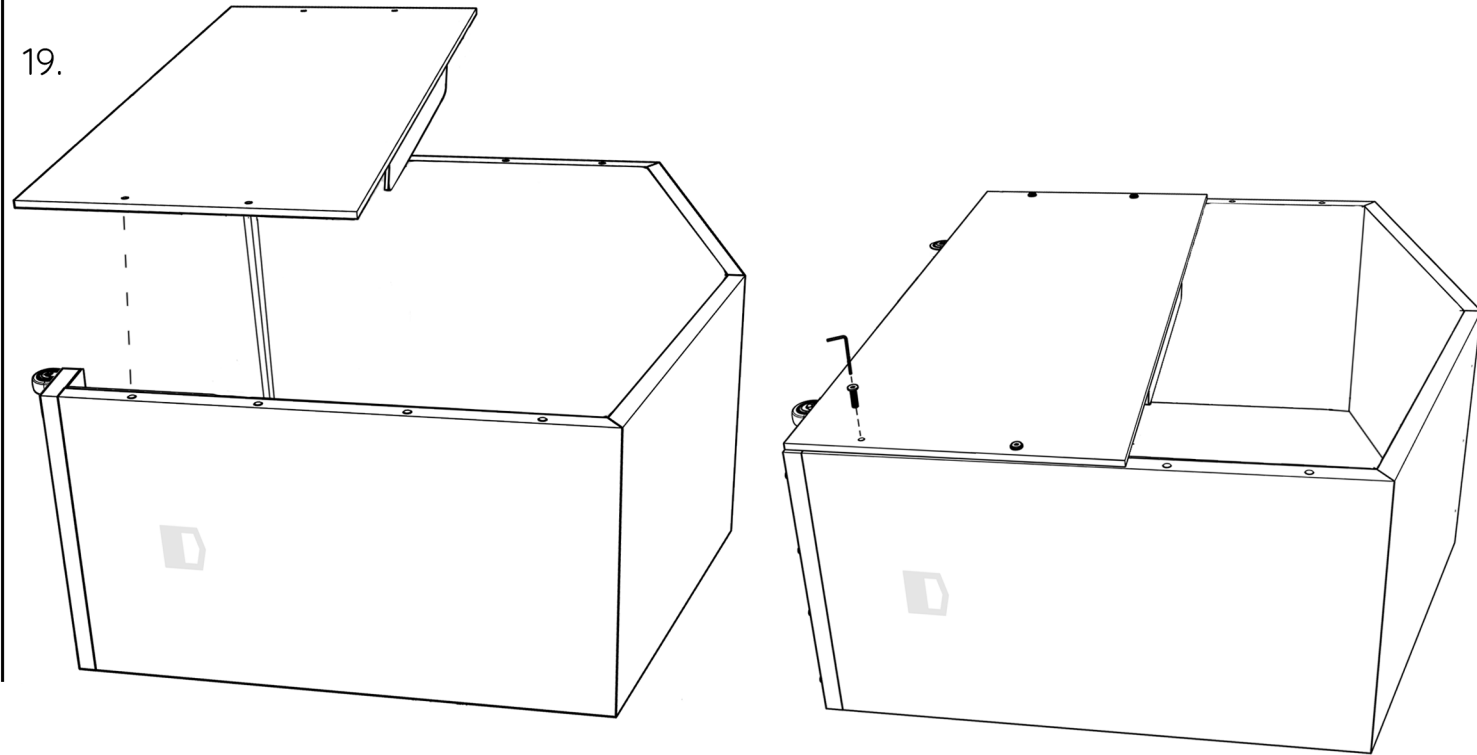


## Section A

---

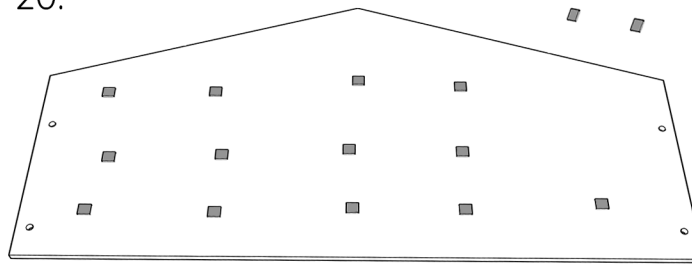
18. Assemble the Rear Wall Lower with the Rear Wall Lower Shelf using the Pins and Cams provided.
19. Put the Lower Back Panel onto the Nook, align the holes and use the Allen key and Bolts to screw it on tightly.

19.

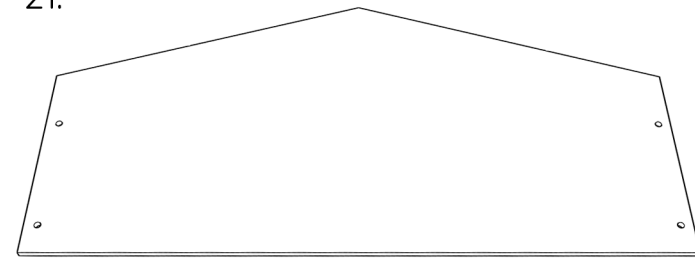




20.



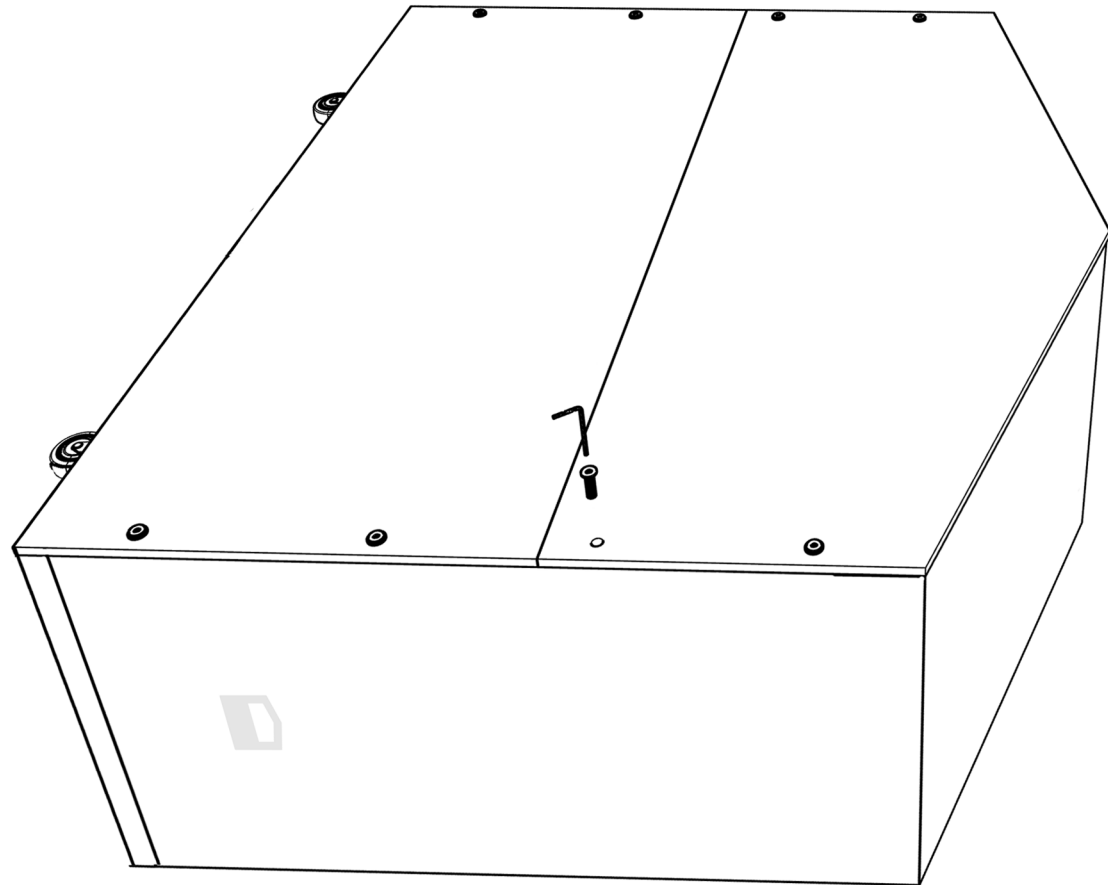
21.



## Section A

20. Remove the protective blue pads from the Rear Wall Upper.
21. Remove the protective film from one side of the Upper Wall. If the Upper Wall is White Board material, remove from both sides.
22. Mount the Upper Wall on top of the Lower Wall, fix in place using the 4 Bolts with the Allen Key.

22.





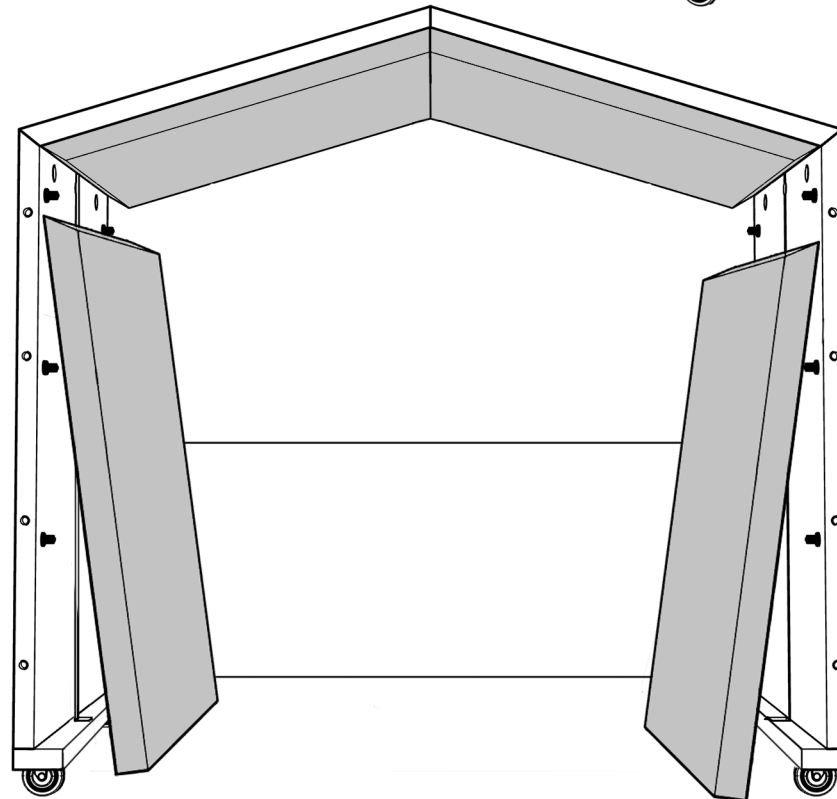
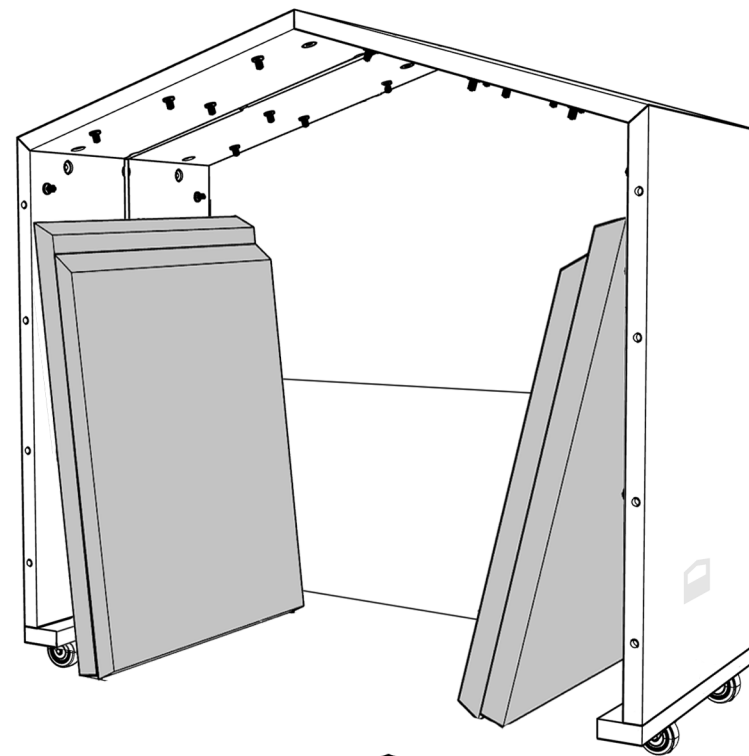
## Section A

---

23. Use minimum 2 people to lift the Nook up by the Roof.
24. Set out the Side (largest) and Roof Upholstery Panels.
25. Install one Roof Upholstery Panel first by aligning the Upholstery Pegs with the holes in the backing board on the Upholstery Panel.

Note: A firm push or 'punch' will secure the panel in place about the area of each peg. Pay attention to each Pegs location and be sure to press firmly there. Listen for the audible sound as the teeth of the Pegs take hold.

The second Roof Panel can now be installed following the same method. Start in corner where the Side meets the Roof and work toward the centre.





## Section A

---

26. Secure the Side Upholstery Panel in place by first wedging the pointed end up and in against the Roof Panel, then find and secure the lowest Peg point and work your way up to the top, pressing over each Peg as you go.

Note: Check for gaps along the point where Upholstery meets Roof & Sides. A firm push in the area where the gap is should close it.

Your Nook is now ready for full use.

26.

