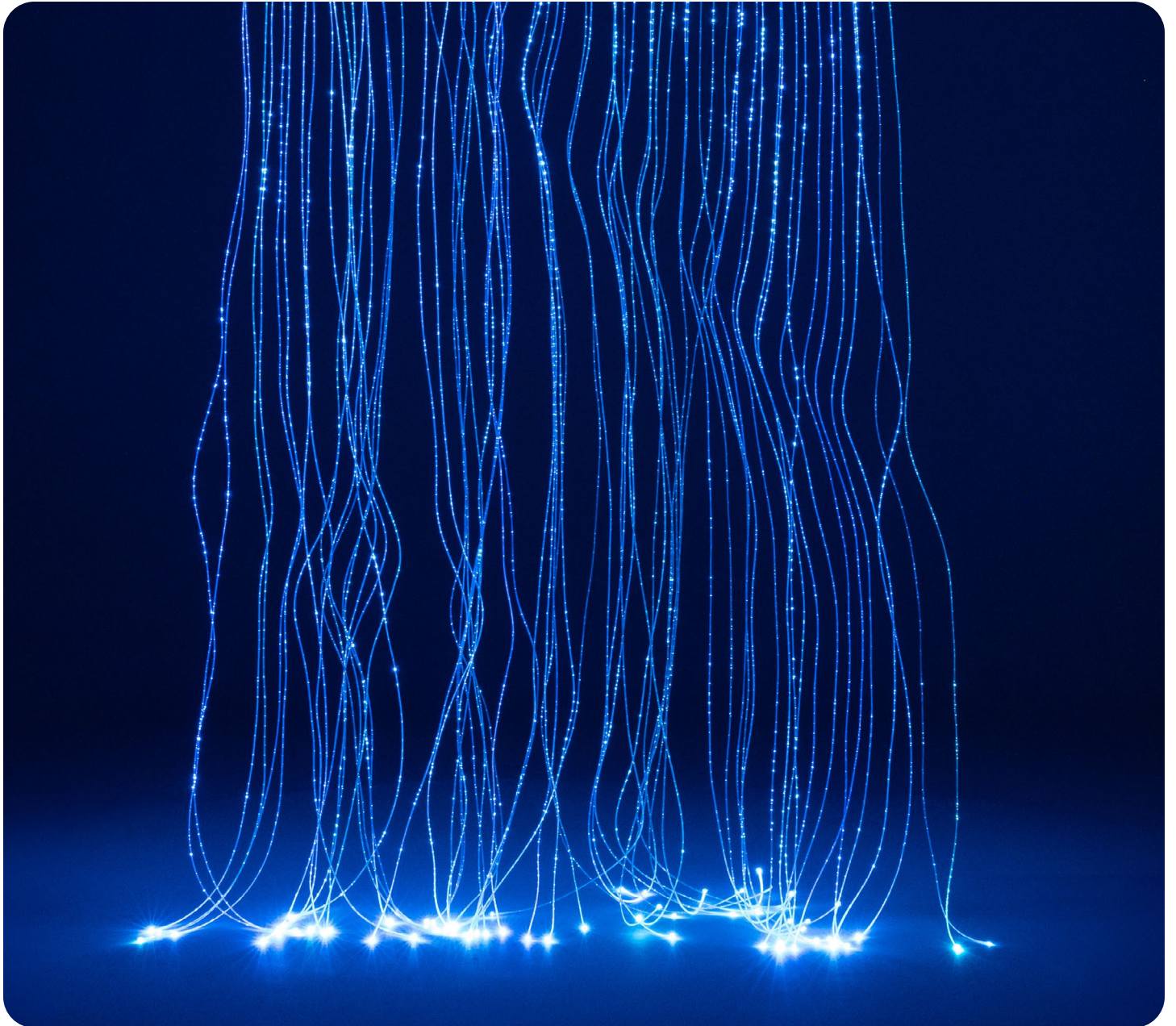


SNOEZELEN® SHIMMERING LIGHT CURTAIN

Item# 2123697

INSTRUCTION MANUAL



BRIEF DESCRIPTION.....	3
COLOR	3
CONTENTS.....	3
SNOEZELEN® STIMULATIONS	3
BEST USE	3
COMPATIBLE SNOEZELEN® PRODUCTS.....	4
STARTING UP	4
DETAILED DESCRIPTION	4
SAFETY.....	4
TECHNICAL SPECIFICATION	5
INSTALLATION.....	5-6
CARE & MAINTENANCE.....	7

BRIEF DESCRIPTION

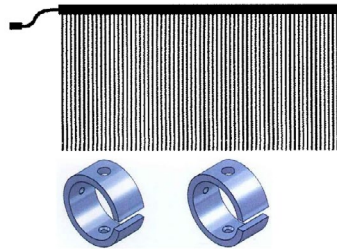
A spectacular, shimmering curtain of fiber optics that continually changes color

COLOR

White frame

CONTENTS

- 1 x curtain assembly with grub screws
- 1 x LED Light Source
- 2 x mounting brackets
- 1 x Allen key



SNOEZELEN® STIMULATIONS

- Sight
- Touch

BEST USE

Use with a LED Light Source 2119937 and recommended 2140273 Snoezelen® Fiber Optic Light Spray Enclosure. The Fiber Optic Curtain changes color constantly along its length to the tip, where the light is brightest. The changing colors are visually stimulating and encourage focus yet are calming and relaxing too. The strands also provide fascinating tactile stimulation. Some suggestions for use are:

1. Stroke the strands to demonstrate that it is safe to touch them.
2. Fan out the bright tips to cast a colored light across a hand or face.
3. Carefully wrap the spray round limbs or the whole body (not around the neck).
4. Use interactively with our WiFi switching system.

COMPATIBLE SNOEZELEN® PRODUCTS

2140273 Snoezelen® Fiber Optic Light Spray Enclosure

2120968 Snoezelen® Fiber Optic Comb

19545 Snoezelen® Fiber Optic Curved Comb

2120557 Snoezelen® Two Port Light Source

STARTING UP

- Secure the Light Source e.g. on wall or shelf out of reach of clients.
- Attach the curtain to a wall or doorway using the fixings included in an appropriate place.
- Slide the boss into the metal tubing on the front face of the light source and secure it in place.
Plug in the light source at the wall. Switch the light source on

DETAILED DESCRIPTION

A spectacular shimmering curtain of fiber optics which continually change color. Place at the entrance of your SNOEZELEN® room or attach to the wall for visual stimulation. The 66 plastic fiber optic strands should not be vigorously pulled.

SAFETY

Always supervise the use of this product

NOTE: *Fiber optic products are a constant source of safe tactile and visual stimulation but they should always be used under supervision, bearing in mind the following important points:*

- Install the light source out of reach of clients.
- Though safe to stroke across the face, the strands should never be put in the mouth.
- Should you wish to tie back a curtain (e.g., to clean the floor underneath it or to move something large through it without obstruction) use a temporary tie back that will undo or break easily (e.g., a paper chain or a very loosely tied short cord). This way should someone get caught or tangled in the fiber optics, they can easily and quickly become free.


TECHNICAL SPECIFICATION

Size: 78" (2m) L x 39½" (1m) W

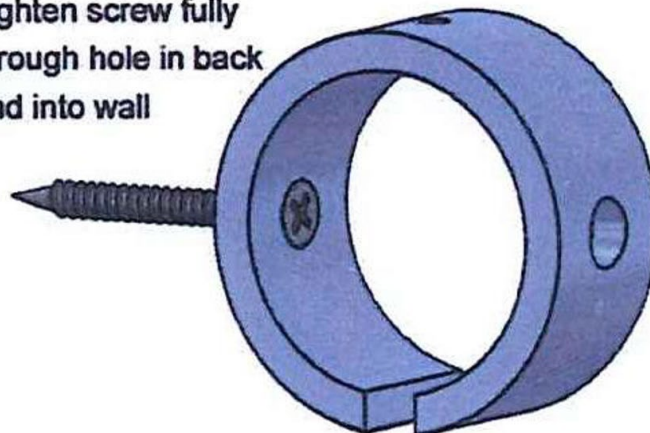
Strands: 66

Weight: 4.5lbs (2kg)

INSTALLATION

- To avoid damaging the fiber optics, you may wish to install the Curtain so that the ends of the fiber optics cannot be stepped on (i.e., they are not reaching the floor).
- Please refer to the separate instructions for the Light Source and enclosure. Place the Light Source on wall, inside of the enclosure, or on a shelf. Make sure that the Light Source will remain in place and will not fall. Place the Light Source out of reach of clients. Permanently fix the light source in place if necessary.
- Attach the curtain to a wall or doorway. There are two rings included. Please purchase appropriate screws, fixings etc. These depend entirely on the surface the curtain frame is attached to. Using a 6/32 machine screw and bolt, to join the ring to a wooden board, this board will then be attached to the wall or doorway. Recommend using Toggle Bolts or Tapcons depending on your wall construction. The more secure the better.
 
- Mark the positions on your surface for the two mounting brackets (ring-shaped fixings). These fixings should be around 2" (50mm) from each end of the curtain tube. Drill holes to take the suitable screws/bolts. Having chosen the appropriate fixings and you are sure that the surface will comfortably hold the weight of the product, install the brackets in place, making sure the cut out (gap in the ring) is facing the floor.

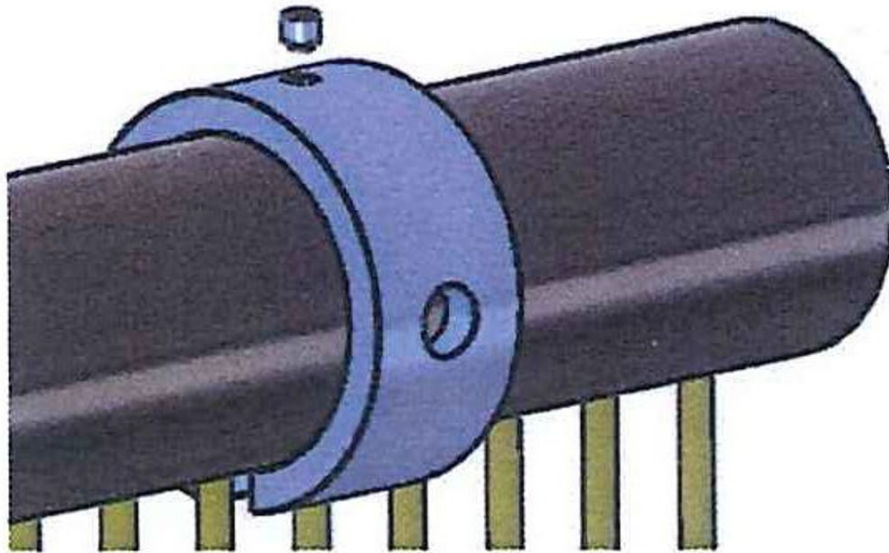
**Tighten screw fully
through hole in back
and into wall**



- Slide the tube through the mounting brackets. The fiber optic strands will slide through the cutout in the bottom of the ring.



- Secure the tube to the brackets by tightening the supplied set screws into the top holes on the brackets using the supplied Allen Key.



- Slide the boss into the metal tubing on the front face of the light source and secure it in place. Plug in the light source at the wall. When using this with fiber optics, it may be necessary to adjust the position of the boss in the port (i.e. not completely pushed in as far as possible) to allow as many strands as possible to be illuminated. Switch the light source on.

CARE & MAINTENANCE

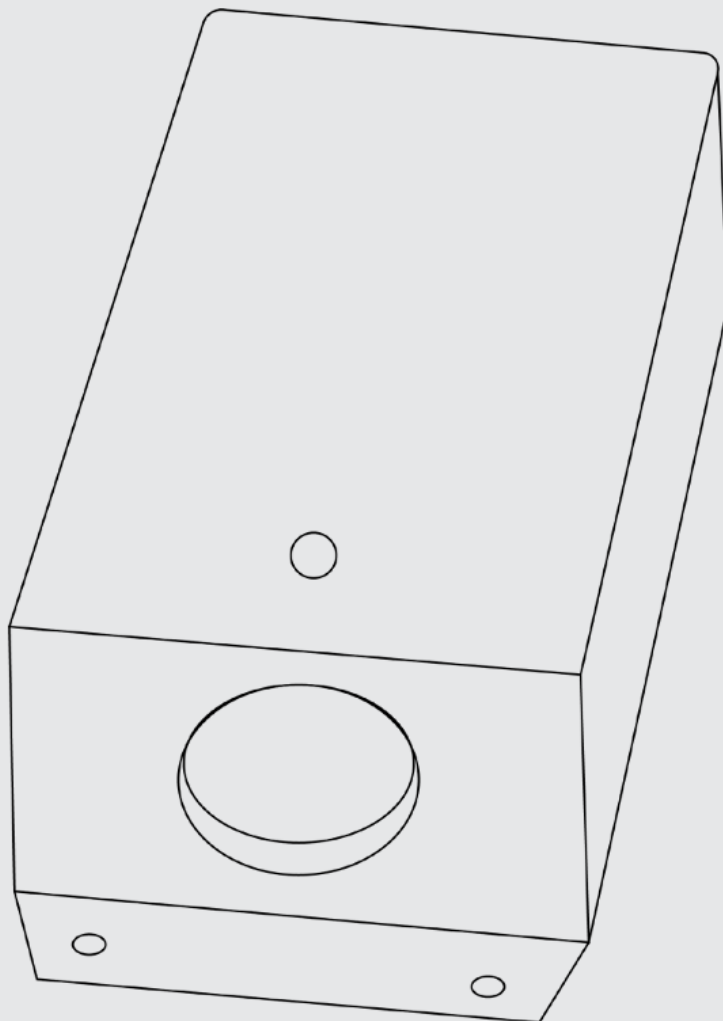
Fiber Optic products provide dramatic visual and tactile stimulation. However, these products should always be handled under close adult supervision. If misused or used carelessly they could cause injury. SNOEZELEN® cannot accept any liability for injury or damage caused by the abuse or misuse of these products.

- Your Fiber Optics should always be used in areas away from sharp edges.
- The use of Fiber Optic products is not recommended where there is a risk of accidental ingestion. Fiber Optics must not be placed in the mouth.
- Do not pull on the curtain. Do not place excessive strain on the fiber optic strands or on the light source cable.
- Clean the fiber optic strands using a mild detergent and a slightly damp cloth, taking care not to wet the boss. Dry thoroughly before re-using. Do not immerse the fiber optics in water.

INTERACTIVE LED LIGHT SOURCE

Item# 2119937

INSTRUCTION MANUAL



PRODUCT DESCRIPTION	10
USER BENEFITS	10
PRODUCT COMPATIBILITY	10
TECHNICAL SPECIFICATION	11
PRODUCT SAFETY & CARE INSTRUCTIONS	11
PRODUCT ASSEMBLY GUIDE/INSTALLATION.....	12
USER GUIDE	12
TROUBLESHOOTING.....	13

PRODUCT DESCRIPTION

With LED technology, this Wi-Fi light source is cool-running and maintenance-free. Compatible with an interactive device such as Color Changing Panel, Talking Cubes or WiFi Wireless Controller. Ideal for sensory stimulation, color recognition, and developing the understanding of cause and effect. Compact and can be wall-mounted and neatly concealed with our Fiber Optic Light Spray Enclosure.

USER BENEFITS

- Stimulates sight through the light emitted.

PRODUCT COMPATIBILITY

2123680 Jumbo Bamboo Fiber Optics, Sensory Lighting 78"
2123681 Milky Way Carpet with LED Lights
2123683 Fiber Optic Light Spray Set, Sensory Lighting 78 Inches, 200 Cables
2123687 Neon Ultra-Violet Fiber Optic Light Spray Set 78" 100 Strands
2123697 Shimmering Light Curtain, Sensory Lighting 78"
2123702 Jumbo Bamboo Fiber Optics, Sensory Lighting 39"
2140273 Fiber Optic Light Spray Enclosure
2140486 Fiber Optic Comb with 200 Fiber Optic Strands
2140488 Curved Fiber Optic Comb with 200 Fiber Optic Strands
2140490 Fiber-Optic Comb with 100 Fiber Optic Strands
2140491 Curved Fiber Optic Comb with 100 Fiber Optic Strands
2140560 Star Pattern Interactive Carpet with LED Lights

Wi-Fi compatibility:

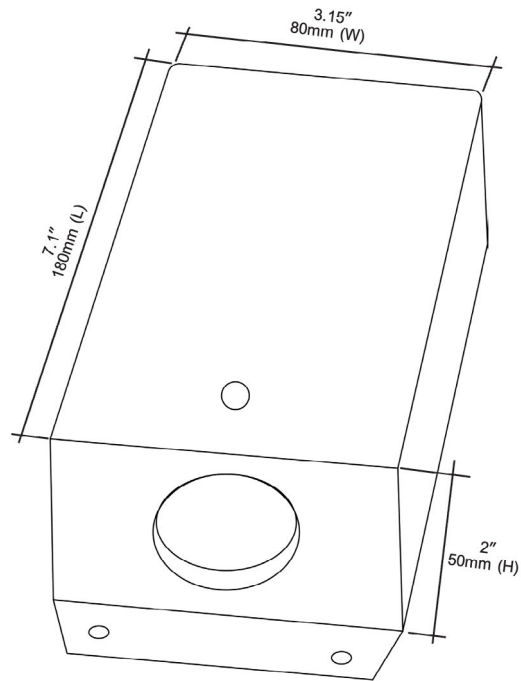
This unit is Wi Fi compatible, and therefore will respond wirelessly to the following products:

2120277 Mini Play Cube Controller
2120037 Color Command Centre™ Panel
2120277 WiFi Wireless Controller
2126234 WiFi Color Control Bumpas, Sensory Wall Panel
2157413 Sensory Magic V3

When activated by a Wi-Fi controller, the Snoezelen® Light Source will automatically change color to that selected for 1 minute, before resuming automatic mode.

TECHNICAL SPECIFICATION

- Cable 69" (1750mm) long
- Weight: 1 Lb. (470g)
- Input: 100-240v AC 50/60Hz 0.25A
- Output: 12v DC 1.25A 15W max
- CE: Meets the requirements of BS EN 9001-2000
- Safety Approved to: UL, CUL, FCC, GS, CE, RCM
UL62638-1, EN62638-7, UKCA62638-1 (Pending)



PRODUCT SAFETY & CARE INSTRUCTIONS

- Always supervise the use of this product, especially with fiber optics
- Install the light source out of reach of clients
- The light source is to be used in dry environments. Allow unrestricted airflow around the light source. The ambient temperature should not exceed 104°F (40°C)
- Do not allow clients to pull on the fiber optics.
- Should you need to remove the fiber optics, loosen the set screw until the boss can be removed easily– do not just pull these out with force

PRODUCT ASSEMBLY GUIDE/INSTALLATION

1. Consider the following when choosing the location of your light source:
 - **Access to Power:**
Ensure the location has easy access to an electrical outlet for plugging in the unit.
 - **Safety Placement:**
Install the light source **out of reach of clients** to prevent accidental contact or tampering.
 - **Environment:**
The light source is designed for **dry environments only**. Do not install in areas exposed to moisture.
 - **Shelf Stability:**
If placing the unit on a shelf, verify that the shelf can **comfortably support the weight** of the light source.
 - **Lighting Conditions:**
Fiber optic products are most visually effective in **darkened environments**, not in bright lighting
2. Loosen the set screw and slide the boss of your fiber optics, or Milky Way Carpet into the circular hole in the front face of the light source. When using this with fiber optics, it may be necessary to adjust the position of the boss in the port (i.e., not completely pushed in as far as possible) to allow as many strands as possible to be illuminated.
3. Tighten the set screw on the top of the unit to secure the fiber optics into the unit. Please note: if you remove the cover from the light source, you have to remove the screw from the top that holds the fiber optics in.
4. Connect the power lead. If the fit does not seem tight, 'wiggle' the lead into the light source, while pushing at the same time
5. Using the ON/OFF rocker switch at the back of the light source, switch the light source on

USER GUIDE

- Slide the boss of your fiber optics or Milky Way Carpet etc into the circular hole in the front face of the light source
- Tighten the screw on the top of the unit to secure the fiber optics into the unit.
- Connect the power supply
- Using the ON/OFF switch at the back of the light source, switch the light source on

TROUBLESHOOTING

In the unlikely event of product failure, please check the following:

Problem: No light

- Check that the power cable and supply are pushed firmly into the light source and receptacle
- Remove any connection to the round black 5 pin socket on the back of the light source
- Turn the light source OFF, wait 1 minute and then turn ON again

Problem: Insufficient Brightness from the Light Source

- Ensure that the fiber optic harness is pushed into the front of the light source, and adjusted (pulled away slowly from the very end of the port) to illuminate as many strands as possible
- Tighten the top screw on the light source to prevent the harness from being pulled out

Problem: Light source sometimes changes color randomly, and then goes back to its preprogrammed sequence

- The light source may be picking up Wi-Fi signals from somebody nearby who has a Color Changing Panel, or Snoezelen® WiFi Wireless Controller (or a Sensory Magic room) etc.

Problem: WiFi signals from 2 different nearby rooms are interfering with each other.

- If you have 2 neighboring rooms each using Snoezelen® WiFi products, then the devices in both rooms can be controlled by any nearby WiFi controllers. An "All-In-One" Controller would be required to alter the wireless settings to operate without interfering with one another