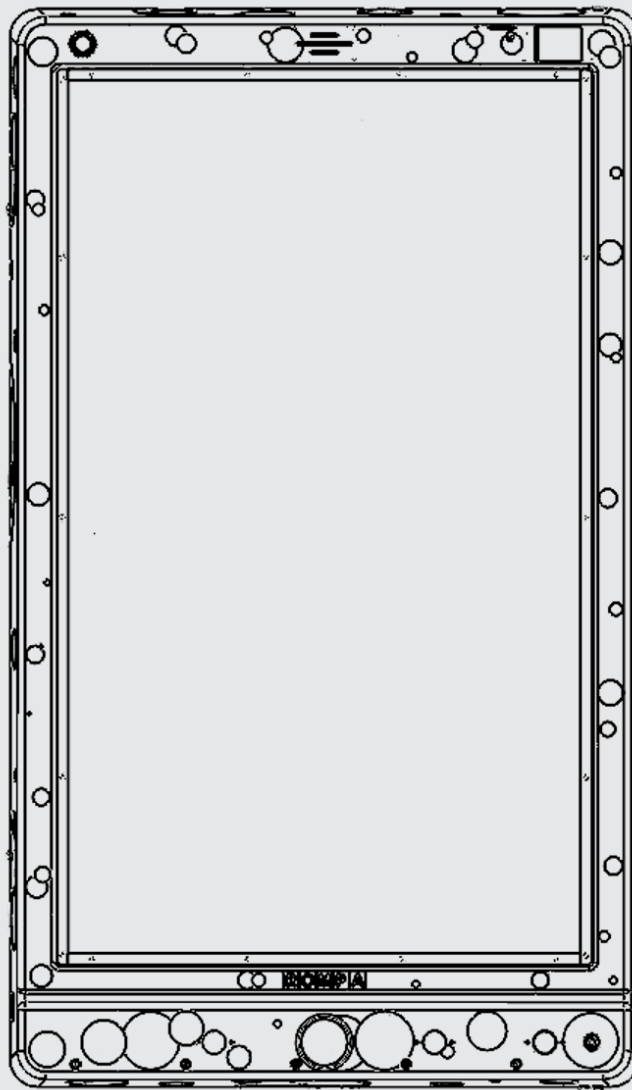


SNOEZELLEN® FIREWORKS EXTRAVAGANZA INTERACTIVE PANEL™

Item# 2119957

INSTRUCTION MANUAL



PRODUCT DESCRIPTION	3
USER BENEFITS	3
PRODUCT COMPATIBILITY	3
INCLUDED PARTS & MATERIALS	4
TECHNICAL SPECIFICATION	4
PRODUCT SAFETY & CARE INSTRUCTIONS	5-18

PRODUCT DESCRIPTION

Create amazing displays by selecting from a number of patterns, colors and speeds each paired to sound effects. Snoezelen® appreciates that for some users fireworks could be associated with being 'too loud and/ or overstimulating'. As a result, this panel offers a number of different sound effect themes for a more relaxing and varied sensory experience, for example water or carnival sounds.

USER BENEFITS

Activities on the Fireworks Extravaganza promote user interaction, visual tracking, eye-hand coordination along with cause-and-effect learning. Use this panel to create an engaging and interactive sensory experience with vibrant lights, captivating patterns, and immersive sound effects designed for all ages and abilities. Users can explore and customize their sensory journey with 11 colors, 5 sound effects, and 3 speed options, creating up to 825 unique combinations. Accessible illuminated push buttons and compatibility with adaptive switches ensure inclusivity for diverse needs.

PRODUCT COMPATIBILITY

2157413 Snoezelen® Sensory Magic® 3
2120147 Snoezelen® WiFi Wireless Controller
2120277 Snoezelen® Mini Play Cube Controller
2120037 Snoezelen® Color Command Center™
2126234 Snoezelen® WiFi Color Control Bumpas

INCLUDED PARTS & MATERIALS

- 1x Fireworks Extravaganza™ Panel
- 2x Wall Mounting Bracket
- 4x M4 Screws
- 1x UK Power Cable
- 1x US Power Cable
- 1x EU Power Cable
- 1x Mounting Template (for use during installation)

TECHNICAL SPECIFICATION

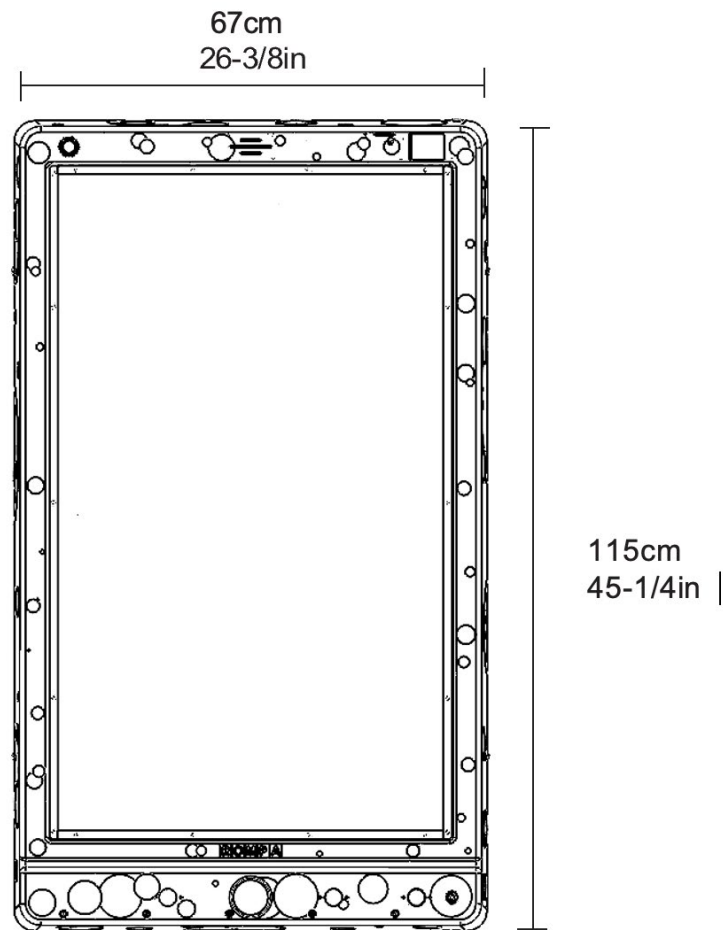
Weight: 13.5kg 30lbs

Dimensions: 115H x 67W x 10D cm
45-1/4H x 26-3/8W x 4D in

Input: 100-240V 50/60Hz

Output: 5V DC 10A E183223 (c)UL-certified

Shell material: ABS (Phthalate-Free)



PRODUCT SAFETY & CARE INSTRUCTIONS

Operation

- The Panel must always be used under supervision.
- Do not strike the panel. The panel is built robustly, but intentional misuse will shorten its lifespan.
- Do not open, dismantle, or attempt to repair the panel yourself. This may cause injury and will void the warranty.
- Disconnect any cables when installing or moving the product. Pulling of the cables can cause premature wear or damage to the product and/or accessories.
- If the product generates abnormal sounds, a burning smell, or smoke, disconnect immediately and contact Snoezelen® customer service.
- Do not press and hold the panel push buttons for durations longer than a minute. Over time, this may reduce the life expectancy of the product.

Care and maintenance

To prolong the product's life, please read the following instructions when installing and operating this panel:

- When installing, please ensure to keep the layer of protective film on the screen until the whole panel is fully mounted and is ready for use.
- Ensure no sharp tools or objects are near the screen.
- Snoezelen® recommends using a soft microfiber cloth for cleaning and dusting. Doing so optimizes the finish and will prevent scratches on the screen.
- Use a slightly dampened micro fiber, or using isopropyl alcohol is recommended for more stubborn stains. Ensure the panel does not become wet.
- Particular care should be taken around apertures in the frame and any electronics (touch screen, power button, illuminated push buttons, external switch jacks and microphone input jacks).
- Avoid food or drinks near this panel.
- Do not attempt to physically damage the product, including the electronics, screen and buttons.
- Ensure loose wires are out of sight.
- At the end of the product's life, please dispose of it ethically. Recycle wherever local facilities exist.

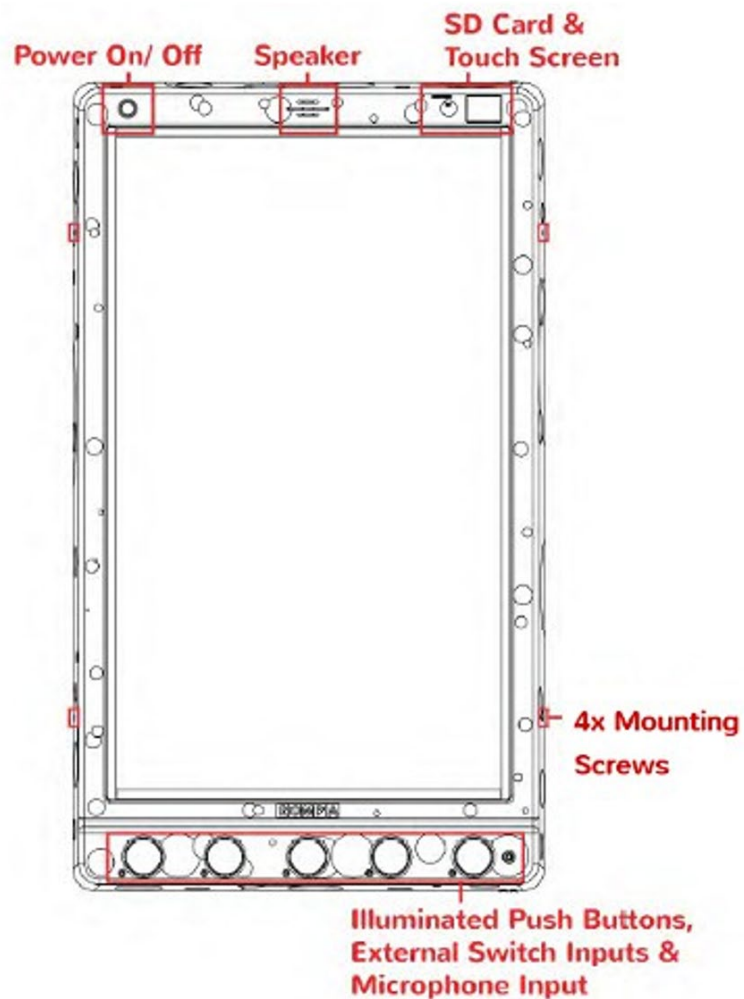
Installing Wall Bracket & Panel

Ensure that, after installation, the power cable and/or power switch for the panel is easily accessible to facilitate the removal of power. Due to the size of the product, it is recommended that two people install the product.

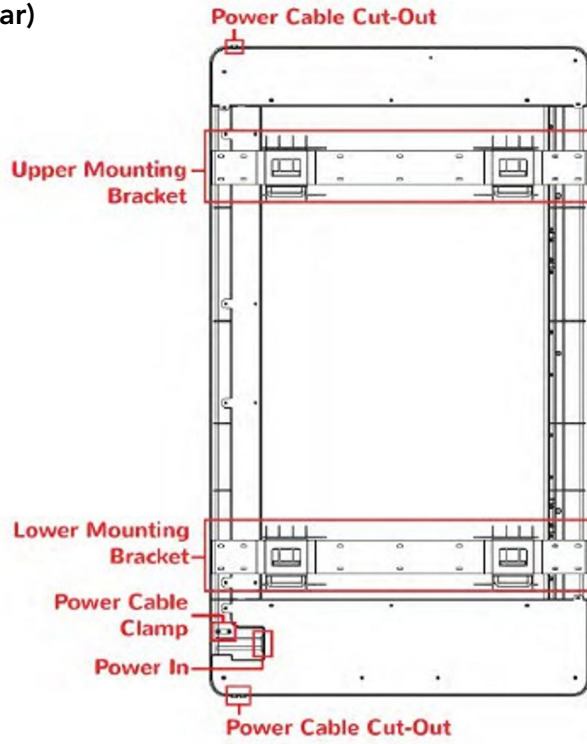
Recommended tools

- Drill
- Spirit level
- Pencil
- Tape measure
- Painters Tape
- Appropriate fixings (e.g., screws, wall plugs, etc.) Hardware is not included but we recommend using toggle bolts or Tapcons, depending on your wall construction.

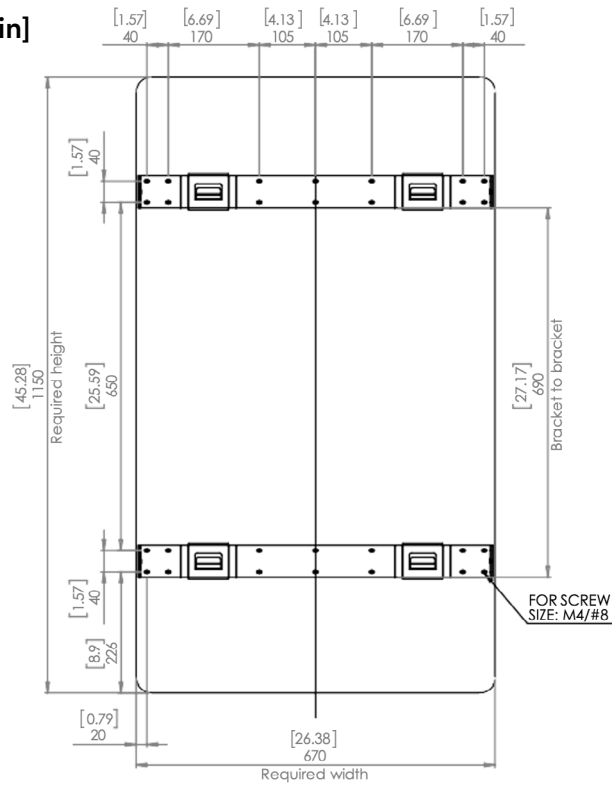
Panel Overview (Front)

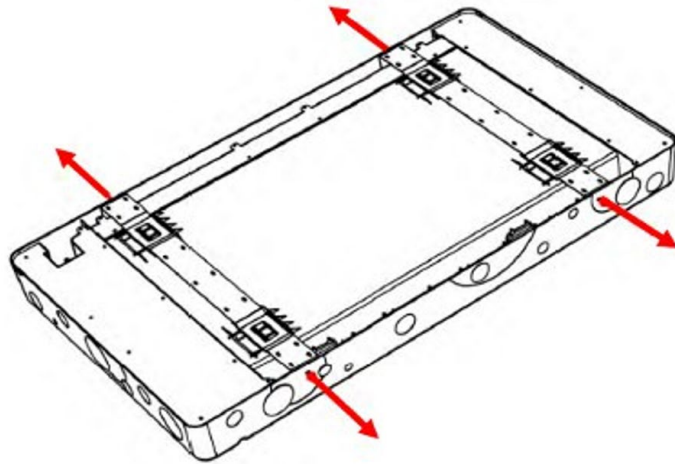


Panel Overview (Rear)

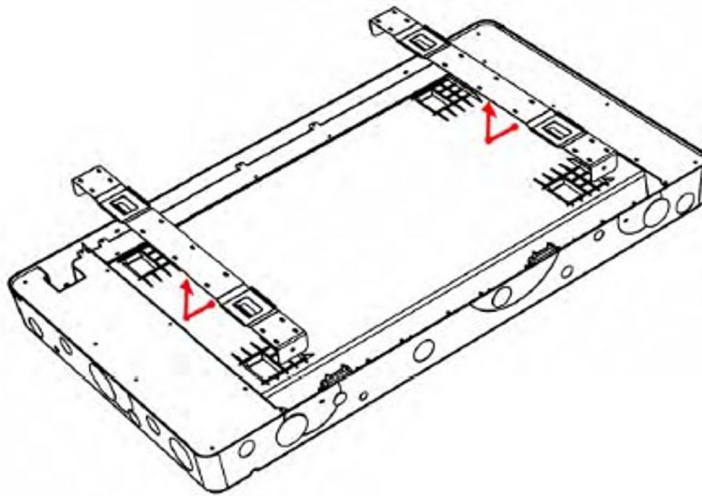


Mounting Dimensions mm [in]





1. Prepare a soft, padded, level surface, such as a quilt or rug. Carefully lay the panel face down.
2. The wall brackets are secured from the factory to prevent damage during transit. Locate and remove the 4x M4 screws on the sides of the panel (as per the arrows above) securing the 2x brackets in place. Place the screws in a safe place, as they will be required later.
3. Remove both brackets from the panel by sliding them down and lifting them out. Place the brackets safely to one side, as they will be required later.



4. Unfold the paper mounting template. This 1-1 scale drawing is an accurate mounting guide. Position and affix it to the wall in the desired location, ensuring it is completely flat and level. If you use tape, such as masking/painter's tape, please ensure it will not damage your wall. Once in place, this guide shows you where you will need to mount the brackets relative to the unit, and where you will need to drill into the wall. You can use it to mark the wall, or you can drill directly through the template. Once you have completed this, we recommend that you carefully refold the paper template and retain it for future reference.

If you don't wish to use the paper template, the graphic on the previous page shows the exact measurements you will need.

5. Secure both brackets to the wall according to the marks on the paper template. Please note that fasteners are not supplied and must be purchased separately. Please ensure the correct fasteners are used, depending on the construction type of the wall. Due to the wide range of wall construction types, we recommend consulting a skilled professional to identify the best type of fixing for each installation if you are unsure. For drywall installations, we recommend using toggle bolts, and for concrete/cinderblock use Tapcons. For safety reasons, please choose the most secure option available.



6. Clean the wall and brackets of any dust and debris that may have been created during mounting. They will be inaccessible once you move beyond this step.
7. With the panel still lying face down, plug in the power cable and any other controller cables, route them through the power cable clamp and power cable cutout. Tighten up the cable clamp to secure the cable(s).
8. With the help of an assistant, carefully lift the panel and locate it on the wall brackets. To do this, have the panel slightly higher than its final resting position. Ensure the trailing cables remain clear of any obstruction during the lift. When you feel the panel has located into the bracket, gradually lower the panel into position. Once correctly in position, the panel will hang from the brackets under its own weight. It will sit flush against the wall, and the brackets will now be fully concealed. Check that the cables are not caught up behind the panel.
9. Reinstall the 4x M4 screws into the mounting bracket holes on the sides of the unit, to prevent the panel from being lifted off the brackets. It will now be firmly in place.
10. Plan your cable routing accordingly so it will not be a hazard. It is advisable to conceal any cabling to protect it from damage, e.g., by using conduit or wiremold. Consult a qualified electrician if you are unsure of best practice.
11. Depending on your local electrical code, you may be allowed to hide the power in the backside, securing it in place using double-sided tape or Velcro. If the power supply needs to be accessible, you may secure it to the underside of the panel again using double-sided tape or Velcro. Note: if the power supply needs to be exposed, make sure the label is facing out so that it can be read.
12. Hide all wires neatly inside the panel or in the conduit, keeping them out of reach as possible by the users.
13. Your panel is now ready to be connected and switched on.

Troubleshooting

No Sound or Low Volume

- Ensure volume is on and turned up to a sufficient level via the touch screen.
- To do this press use the arrows on the touch screen to navigate to the sound menu, select the '+' icon to increase the volume.
- The speaker icon is turned all the way up when the icon looks the same as it is seen below:



If there is still no sound or the sound is not loud enough, try these steps:

- Turn the panel off and wait 10 seconds.
- Turn the panel back on.

This process will reset the panel settings, restoring:

- Volume to level 2
- Sound Effects to ON

This will reset the panel settings and revert the sound to volume 2 and Sound Effects set to on.

Frozen or Unresponsive

- Turn the panel off and wait 10 seconds.
- Turn the panel back on.

This will reset the panel and revert to the 1st mode shown on Touch Screen.

Push Button(s) Unresponsive

- Ensure panel buttons are not locked via the touch screen.
- To do this, press the arrows on the touch screen until you are on the panel lock menu:



- Pressing the red lock button will lock and unlock the illuminated push buttons.
- When locked (as seen in the image above), the push buttons will dim and be unresponsive.

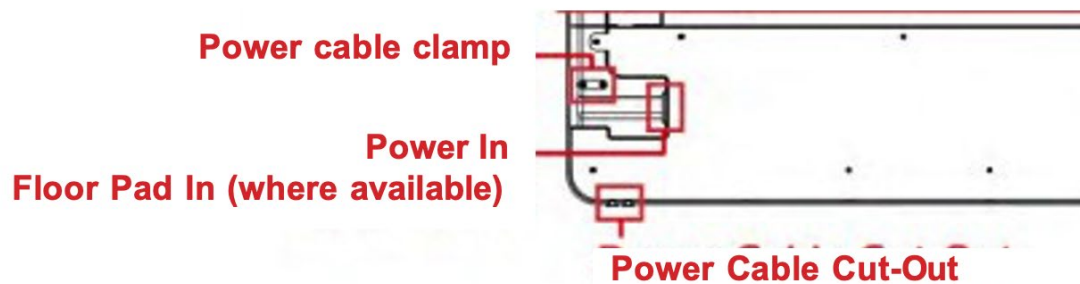
External Switch Unresponsive

- Ensure the switch socket is clear of any dust or debris.
- Ensure the switch is fully inserted into the socket.
- Ensure panel buttons are not locked via the touch screen.
- Turn the panel off and wait 10 seconds.
- Turn the panel back on.

This will reset the panel settings and revert the panel buttons to unlock.

No Power

- Ensure the power is disconnected from the panel. Check that the IEC power cable is connected into the bottom of the panel and is fully inserted into the panel.
- Reconnect the power cable.
- If the IEC cable is securely in place and there is still no power to the panel, then ensure that the power supply is producing the correct output as labeled on the backside of the supply. This will require a voltage/multi meter.
- If power supply is not producing the correct voltage, please contact Snoezelen® to order a replacement.
- The IEC power cable plugs into the panel as illustrated by the line with the Power In (and on selected products, Floor Pad In) text next to it:



Modes Overview

The mode controls how the panel behaves. The Fireworks Extravaganza™ has 2 modes which can be selected via the touchscreen and an additional mode when a microphone is plugged into the ¼"/6.35mm microphone input:

Mode 1: Interactive.

The panel does not change current pattern, color or speed unless told to do so via the illuminated push buttons.

Mode 2: Relax (Passive).

The panel scrolls through patterns and colors. The panel changes state after 1 minute of inactivity. The panel can be used as normal in this mode.

Microphone Mode

This mode cannot be accessed via the touch screen. To access this mode plug a microphone into the ¼"/6.35mm microphone input. The panel will automatically change to microphone mode once a microphone has been detected. The mode and brightness of the panel cannot be adjusted via the touchscreen while a microphone is plugged in.

The brightness of the panel is controlled by the volume of sounds made. The louder the sound, the brighter the panel will go. The panel also detects sounds via its onboard microphone, so sounds do not have to be made directly into the microphone. This allows multiple users to play simultaneously.

Touch Screen

The touch screen is intended for the supervisor of the session, not the primary user of the panel. The touch screen allows you to control in detail how the panel behaves, as well as view statistics of panel usage.

Upon booting the panel up, it will revert to its default settings:

Mode 1: Interactive

- Volume: 2
- Touch Screen Brightness: 100%
- Panel Brightness: 100%
- Sound Effects: On
- Wi-Fi: On
- Lock: Off

Mode

- Press the light blue mode button to cycle through the modes of the panel.
- Press the red forward or back buttons to cycle through the other menu options.



Media*

- Press the 'play/ pause' button to play or pause music. Press the 'skip forward' to play the next track or 'skip back' to play the previous.
- Press the red forward or back buttons to cycle through the other menu options.

***This functionality may only be available when an SD card has been inserted.**



Volume

- Pressing the '+' will increase the volume and pressing '-' will reduce the volume.
- Press the red forward or back buttons to cycle through the other menu options.



Sound Effects

- Pressing the light green sound effect button will turn the sound effects on or off. Sound effect refers to the sounds made when the user activates the illuminated push buttons.
- Press the red forward or back buttons to cycle through the other menu options.



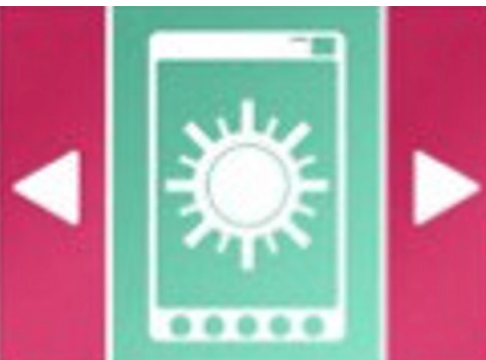
Touch Screen Brightness

- Pressing the yellow screen brightness button will cycle the panel through 6 levels of brightness to 100%. Press the red forward or back buttons to cycle through the other menu options.



Panel Brightness

- Pressing the turquoise screen brightness button will cycle the touch screen through 3 levels of brightness to 100%.
- Press the red forward or back buttons to cycle through the other menu options.



Lock

Pressing the red lock button will lock and unlock the illuminated push buttons. When locked, the push buttons will dim and be unresponsive. Press the red forward or back buttons to cycle through the other menu options.



Wireless

Pressing the purple wireless button will cycle the panels wireless on or off. With wireless turned on the panel will respond to other Snoezelen® compatible wireless products. With wireless turned off it will ignore Snoezelen® compatible wireless products. Press the red forward or back buttons to cycle through the other menu options.



Stats

- Pressing the blue stats button will open the stats screen.
- From the stats screen, you can see in real time the number of button presses that have been made on the panel and the duration the panel has been used for.



To return to the main menu, press the red backward button. Press the red forward or back buttons to cycle through the other menu options.



Illuminated Push Buttons

The Fireworks Extravaganza™ has 5 illuminated push buttons so the user can control the visual and audio effects the panel produces. When pressed, each button will flash, and a unique sound effect will be triggered. Sound effects can be turned off via the touch screen. Illuminated buttons can also be locked via the touch screen if required. The brightness of the illuminated buttons is reduced, and the buttons are unresponsive when locked.



Pattern

The panel has 5 patterns which can be selected via the 'Pattern' illuminated push button or an external switch plugged into the 'Pattern' input jack.



Sound Effect

The panel has 6 sound themes which can be selected via the 'Sound Effect' illuminated push button or an external switch plugged into the 'Sound Effect' input jack. Each theme pairs sound effects with the on-screen patterns.



Color

The panel has 11 colors which can be selected via the 'Color' illuminated push button or an external switch plugged into the 'Color' input jack.



Play/ Pause

The panel has can be paused or resumed via the 'Play/ Pause' illuminated push button or an external switch plugged into the 'Play/ Pause' input jack. A different sound effect is associated with play and pause.

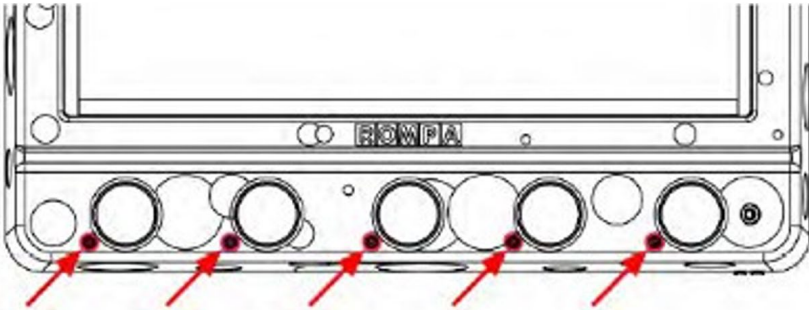


Speed

The panel has 3 speeds which can be selected via the 'Speed' illuminated push button or an external switch plugged into the 'Speed' input jack. A different sound effect is associated with slow, medium and fast.

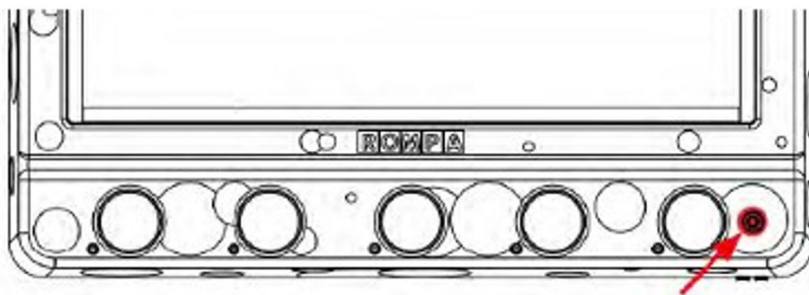
External Switches

The panel has 5 external switch inputs each located underneath their associated illuminated push button. To connect the external switch simply plug into the ¼"/6.35mm jack and remove when finished (external switches without a ¼"/6.35mm jack may need an adapter fitting).



Microphone Input

The panel has 1 microphone input. To use a microphone with the panel simply plug a microphone into the ¼"/6.35mm jack located in the bottom right of the panel. When the microphone is inserted, the panel will automatically detect its presence and turn to 'Microphone Mode'. The panel also acts as a karaoke and sounds spoken through the microphone can be heard through the integrated speaker. Simply remove the microphone from the panel when finished and the panel will automatically revert back to its previous mode.



Sound Effects

1. Fireworks
2. Fun Fair / Carnival
3. Music
4. Space
5. Water
6. No Sound

Color

1. Multi-Colored (LEDs are multi-colored)
2. All Colors Soft Fade (LEDs transition through colors)
3. All Colors Hard Fade (LEDs hard transition through colors)
4. Red
5. Green
6. Blue
7. Yellow
8. Orange
9. Pink
10. Purple
11. White

Snoezelen® Wireless Operation

The Fireworks Extravaganza™ is compatible with a range of Snoezelen® wireless products (see Compatible Snoezelen® Products):

Snoezelen® WiFi Wireless Controller 2120147

Pressing the color buttons turns all the LEDs in array the corresponding color selected. The panel will remain this color unless a new color is selected via the panel or a Snoezelen® wireless controller or the panel is in a passive mode where it continues cycling through colors and patterns after 60 seconds.

Pressing the central 'function button' acts as pressing the pattern button on the panel. Pressing the function button multiple times allows the user to cycle through all 5 of the panel's patterns.

Other Wireless Products

Selecting a color turns the all the LEDs in array the corresponding color selected. The panel will remain this color unless a new color is selected via the panel or a Snoezelen® wireless controller or the panel is in a passive mode where it continues cycling through colors and patterns after 60 seconds.